

## QUARTZ GLASS TUBE PATIO HEATER USER MANUAL



# QUARTZ GLASS TUBE PATIO HEATER

# EUROLAMP<sup>®</sup>

147-29608 / 147-29609 / 300-42071

## WARNING SAFETY RULES

PLEASE READ THE FOLLOWING SAFETY RULES PRIOR TO OPERATION OF THE HEATER

### FOR YOUR SAFETY

If you smell gas:

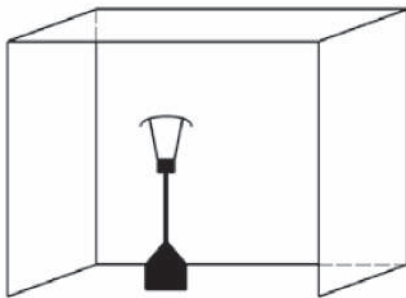
1. Shut off gas to the appliance.
2. Extinguish any open flame.
3. If odor continues, immediately call your gas supplier or your fire Department.

### FOR YOUR SAFETY

1. Do not store or use gasoline or other flammable vapors and liquids in the vicinity of this or any other appliance.
2. An LP cylinder not connected for use shall not be stored in the vicinity of this or any other appliance.

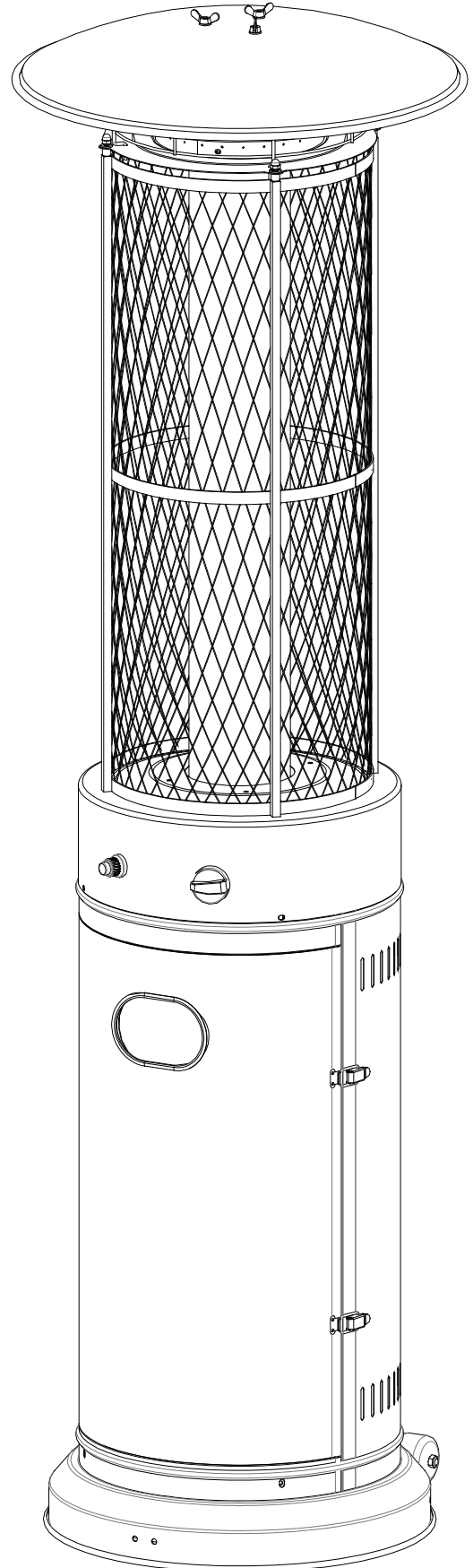
### WARNING

- 1) For use outdoors or in amply ventilated areas.
- 2) An amply ventilated area must have a minimum of 25 % of the surface area open.
- 3) The surface area is the sum of the walls surface.



### WARNING

Improper installation, adjustment, alteration, service or maintenance Can cause injury or property damage. Read the installation, operating and maintenance instructions thoroughly before installing or servicing this equipment.



## WARNING

---

Read the instructions before installation and use.

- This appliance must be installed and the gas cylinder stored in accordance with the regulations in force;
- Do not obstruct the ventilation holes of the cylinder housing.
- Do not move the appliance when in operation.
- Shut off the valve at the gas cylinder or the regulator before moving the appliance.
- The tubing or the flexible hose must be changed within the prescribed intervals.
- Use only the type of gas and the type of cylinder specified by the manufacturer.

The LP tank used with your patio heater must meet the following requirements:

Purchase LP tanks only with these required measurements: (31.8cm) (diameter) x 58cm) (tall) with 15kg capacity maximum.

- In case of violent wind particular attention must be taken against tilting of the appliance; Keep the appliance at least 1m from the gas cylinder.
- The injector is installed by the manufacturer only.

Do not connect the gas cylinder directly to the appliance without regulator. Use only the type of gas and the type of cylinder specified in the instructions.

---

A regulator (complies with EN16129:2013 and the national regulation) of the correct pressure corresponding to the appliance category.

Use 30mbar regulator for butane/propane under the category I3B/P(30).

Use 30mbar regulator for butane under the category I3+(28-30/37).

Use 37mbar regulator for propane under the category I3+(28-30/37).

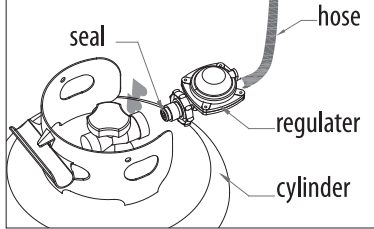
Use 50mbar regulator for butane/propane under the category I3B/P(50).

It's recommended to use flexible hose that approved by EN16436: 2014.

## CAUTION

**PLEASE READ CAREFULLY THE FOLLOWING SAFETY GUIDELINES BEFORE OPERATION.**

Hose/ Regulator connection and Regulator / Cylinder connection



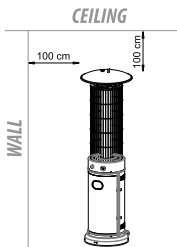
Do not use the patio heater for indoors, as it may cause personal injury or property damage. This outdoor heater is not intended to be installed on recreational vehicles and/or boats. Installation and repair should be done by a qualified service person. Improper installation, adjustment, alteration can cause personal injury or property damage. Do not attempt to alter the unit in any manner. Never replace or substitute the regulator with any regulator other than the factory suggested replacement. Do not store or use gasoline or other flammable vapors or liquids in the heater unit. The whole gas system, hose, regulator, pilot or burner should be inspected for leaks or damage before use, and at least annually by a qualified service person. All leak tests should be done with a soap solution. Never use an open flame to check for leaks. Do not use the heater until all connections have been leak tested. Turn off the gas valve immediately if smell of gas is detected. Turn Cylinder Valve OFF. If leak is at Hose/ Regulator connection: tighten connection and perform another leak test. If bubbles continue appearing should be returned to hose's place of purchase. If leak is at

Regulator/Cylinder Valve connection: disconnect, reconnect, and perform another leak check. If you continue to see bubbles after several attempts, cylinder valve is defective and should be returned to cylinder's place of purchase. Do not transport heater while it's operating. Do not move the heater after it has been turned off until the temperature has cooled down. Keep the ventilation opening of the cylinder enclosure free and clear of debris. Do not paint the radiant screen, control panel or top canopy reflector. Control compartment, burner and circulation air passageways of the heater must be kept clean.

Frequent cleaning may be required as necessary. The LP tank should be turned off when the heater is not in use. Check the heater immediately if any of the following occurs:

- The heater does not reach temperature. - The burner makes popping noise during use (a slight noise is normal when the burner is extinguished). - Smell of gas in conjunction with extreme yellow tipping of the burner flames. The LP regulator/hose assembly must be located out of pathways where people may trip over it or in area where the hose will not be subject to accidental damage. Any guard or other protective device removed for servicing the heater must be replaced before operating the heater. Adults and children should stay away from high temperature surface to avoid burns or clothing ignition. Children should be carefully supervised when they are in the area of the heater. Clothing or other flammable materials should not be hung on the heater or placed on or near the heater. To change the gas cylinder in a amply ventilated area, away from any ignition source (candle, cigarettes, other flame producing appliances, ...). To check that the regulator seal is correctly fitted and able to fulfill its function showed in photo 1. To not obstruct the ventilation holes of the cylinder housing; To close the gas supply at the valve of the gas cylinder or the regulator after use; In the event of gas leakage, the appliance shall not be used or if alight, the gas supply shall be shut off and the appliance shall be investigated and rectified before it is used again; To check the hose at least once per month , each time the cylinder is changed, or each time before long time no use. If it shows signs of cracking, splitting or other deterioration it shall be exchanged for new hose of the same length and of the equivalent quality; **THE USE OF THIS APPLIANCE IN ENCLOSED AREAS CAN BE DANGEROUS AND IS PROHIBITED.** Read the instructions before using this appliance. The appliance must be installed in accordance with the instructions and local regulations. For connection of hose and regulator, and connection of regulator and hose, please refer to photo 1.

## HEATER STAND AND LOCATION



The heater is primarily for outdoor use only. Always ensure that adequate fresh air ventilation is provided.

Always maintain proper clearance to non protected combustibile materials i.e. top 100 cm and sides 100 cm minimum.

Heater must be placed on level firm ground.

Never operate heater in an explosive atmosphere like in areas where gasoline or other flammable liquids or vapors are stored.

To protect heater from strong wind, anchor the base securely to the ground with screws.

## GAS REQUIREMENTS

Use propane, butane or their mixtures gas only. The pressure regulator and hose assembly to be used must conform to local standard codes. The installation must conform to local codes, or in the absence of local codes, with the standard for the storage and handling of liquid petroleum gases. A dented, rusted or damaged tank may be hazardous and should be checked by your tank supplier. Never use a tank with a damaged valve connection. The tank must be arranged to provide for vapor withdrawal from the operating cylinder. Never connect an unregulated tank to the heater.

## LEAKAGE TEST

Gas connections on the heater are leak tested at the factory prior to shipment. A complete gas tightness check must be performed at the installation site due to possible mishandling in shipment or excessive pressure being applied to the heater. Make a soap solution of one part liquid detergent and one part water. The soap solution can be applied with a spray bottle, brush or rag. Soap bubbles will appear in case of a leak in gas pipe connections. The heater must be checked with a full cylinder. Make sure the safety control valve is in the OFF position. Turn the gas supply ON. In case of a leak, turn off the gas supply. Tighten any leaking fittings, then turn the gas supply on and recheck. Never leak test while smoking.

## OPERATION AND STORAGE

### TO TURN ON THE HEATER

1. Turn on the valve on the gas supply cylinder completely.
2. Press and turn the variable control knob to PILOT position (counter-clockwise 90°).
3. Press down the variable control knob and hold for 5 seconds. While holding down the variable control knob, press the igniter button several times until the pilot flame lights. Release the variable control knob after the pilot flame lights. Note: If a new tank has just been connected, please allow at least one minute for the air in the gas pipeline to purge out through the pilot hole. When lighting the pilot flame make sure that the variable control knob is continuously pressed down while pressing the igniter button. Variable control knob can be released after the pilot flame lights. If the pilot flame does not light or it goes out, repeat step 3.
4. After the pilot flame lights, turn the variable control knob to maximum position and leave it there for 5 minutes or more before turning the knob to desired temperature position.

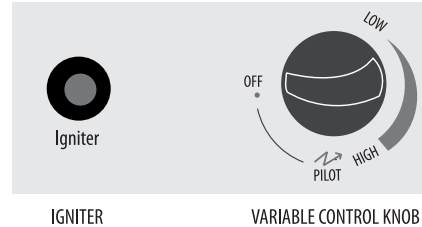
Warning: check that no broken on the glass is found before operation.

### STORAGE

1. Always close the gas valve of the gas cylinder after use or in case of a disturbance.
2. Remove the pressure regulator and the hose.
3. Check the tightness of the gas valve and for damage. If you suspect a damage, have it changed by your gas dealer.
4. Never store liquid gas cylinder in a sub-terrain, or at places without adequate air ventilation.

### TO TURN OFF THE HEATER

1. Turn the variable control knob to PILOT position.
2. Press and turn the variable control knob to OFF position.



IGNITER

VARIABLE CONTROL KNOB

**HIGH**  
Maximum  
temperature  
position

**LOW**  
Minimum  
temperature  
position

**OFF**  
The heater  
stop work

3. Turn off the valve on the gas supply cylinder completely.

### CLEANING AND CARE

- Wipe off powder coated surfaces with soft, moist rag. Do not clean heater with cleaners that are combustible or corrosive.
- Remove debris from the burner to keep it clean and safe for use.
- Cover the burner unit with the optional protective cover when the heater is not in use.

## PARTS AND SPECIFICATIONS

### A. Construction and characteristics

Transportable terrace/garden heater with tank housing. Casing in steel with powder-coating or in stainless steel. Gas hose connections with metal clamp (screw caps for Germany). Heat emission from reflector.

### B. Specifications

Use propane, butane or their mixtures gas only.

Max. wattage: 11000 watts

Min. wattage: 5000 watts

Using the proper regulator according to outlet pressure of regulator as showed in the table.

Consumption:

APPLIANCE CATEGORY:	I <sub>3</sub> +(28-30/37)		I <sub>3</sub> B/P(30)	I <sub>3</sub> B/P(50)	I <sub>3</sub> B/P(37)
TYPES OF GAS:	Butane	Propane	Butane, propane or their mixtures	Butane, propane or their mixtures	Butane, propane or their mixtures
GAS PRESSURE:	28-30mbar	37 mbar	30 mbar	50mbar	37mbar
OUTLET PRESSURE OF REGULATOR	30mbar	37 mbar	30 mbar	50mbar	37mbar

### C. Table of injector

The hose and regulator assembly must conform to local standard codes.

Regulator outlet pressure should meet the corresponding appliance category in B. Specification.

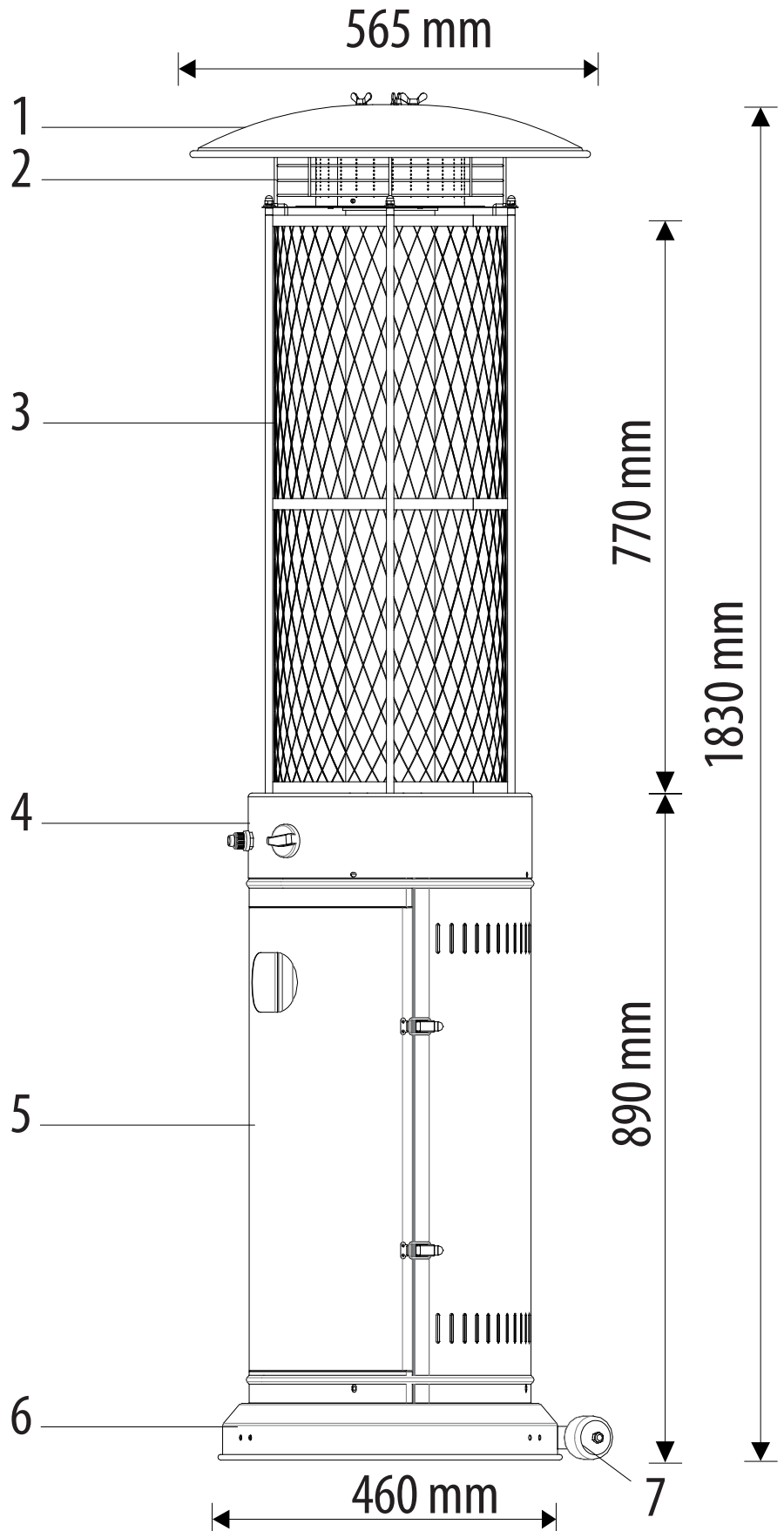
The appliance requires approved hose in 0.6m length.

APPLIANCE CATEGORY:	I <sub>3</sub> +(28-30/37)		I <sub>3</sub> B/P(30)	I <sub>3</sub> B/P(50)	I <sub>3</sub> B/P(37)
TYPES OF GAS:	Butane	Propane	Butane, propane or their mixtures	Butane, propane or their mixtures	Butane, propane or their mixtures
GAS PRESSURE:	28-30mbar	37 mbar	30 mbar	50mbar	37mbar
TOTAL HEAT INPUT (Hs): (Qn)	11kW (G30:800g/h; G31:786g/h)				
INJECTOR SIZE:	1.75 mm for main burner 0.22 mm for pilot burner			1.55 mm for main burner 0.22 mm for pilot burner	1.6 mm for main burner 0.22 mm for pilot burner
The marking, for example, 1.75 on the injector, indicates that the size of injector is 1.75mm					



## PARTS AND SPECIFICATIONS

1. Reflector
2. Upper Protective Mesh
3. Rhombic Protective Mesh
4. Control Box
5. Tank housing
6. Base
7. Wheel



# QUARTZ GLASS TUBE PATIO HEATER

# EUROLAMP®

147-29608 / 147-29609 / 300-42071

## ASSEMBLY PARTS



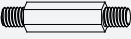
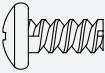
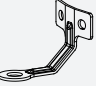
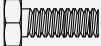
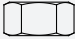
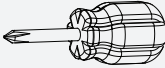
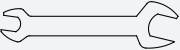
### TOOLS NEEDED:

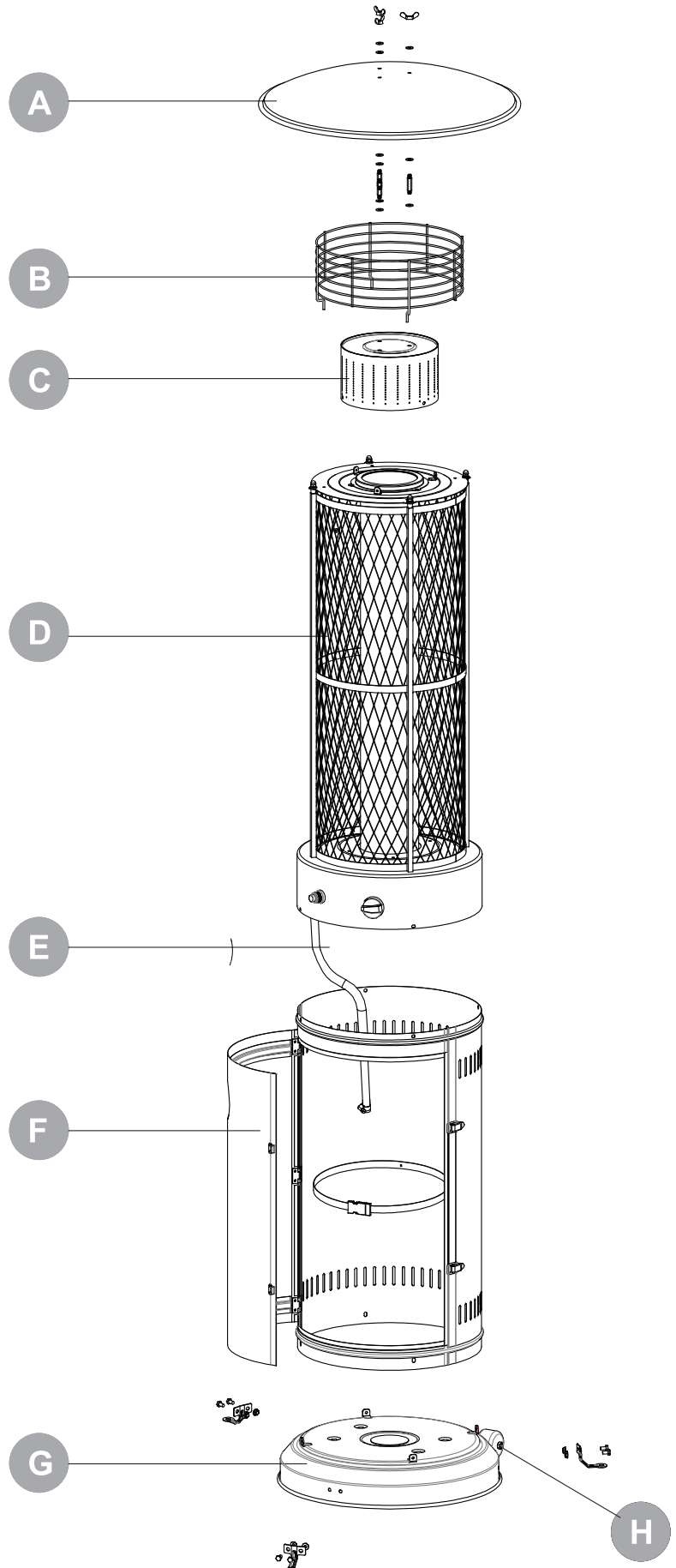
- Philips screwdriver w/ medium blade
- Spray bottle of soap solution for leakage test

### PARTS LIST:

PART	DESCRIPTION	QUANTITY
A	Reflector	1
B	Upper Protective Mesh	1
C	Mesh	1
D	Heating Body	1
E	Gas Hose	1
F	Cylinder Housing	1
G	Base	1
H	Wheel	1

## HARDWARE CONTENTS

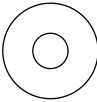
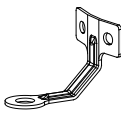
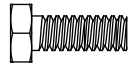
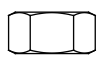
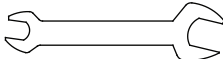
<b>AA</b> 	<b>BB</b> 
Wing nut Qty. 3	Washer Ø6 Qty. 15
<b>CC</b> 	<b>DD</b> 
Stud Qty. 3	Screw M5 X 10 Qty. 11
<b>EE</b> 	<b>FF</b> 
Ground Fixer Qty. 3	Bolt M6 x 10 Qty. 6
<b>GG</b> 	<b>HH</b> 
Nut M6 Qty. 6	Philips screwdriver Qty. 1
<b>II</b> 	
Wrench Qty. 1	

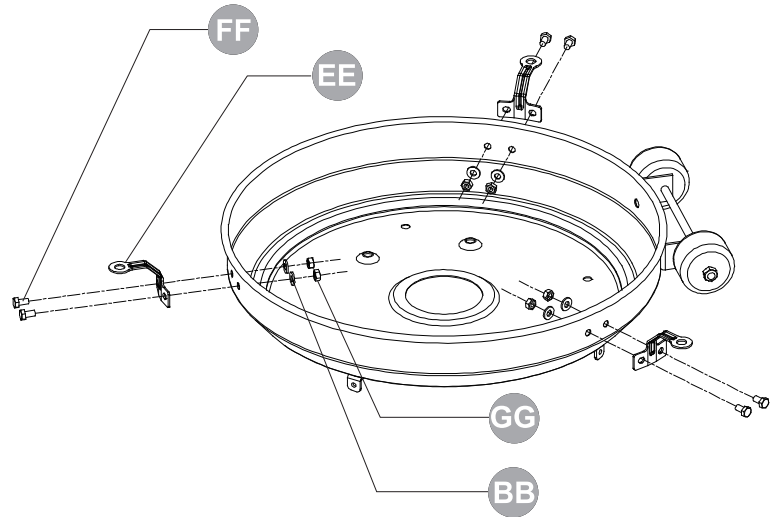


## ASSEMBLY PROCEDURES

**1.** To protect heater from strong wind, anchor the base securely to the ground with screws. Reverse the base, fix the ground fixer to the base with bolt M6X10 and washer  $\Phi 6$  like picture shows. Secure the ground fixer with nut M6. Fix another two ground fixer with bolts and nuts, and reverse the base.

### HARDWARE USED

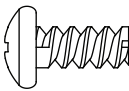
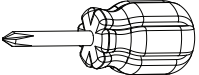
- BB** Washer  $\Phi 6$   x 6
- EE** Ground Fixer  x 3
- FF** Bolt M6X10  x 6
- GG** Nut M6  x 6
- II** Wrench  x 1

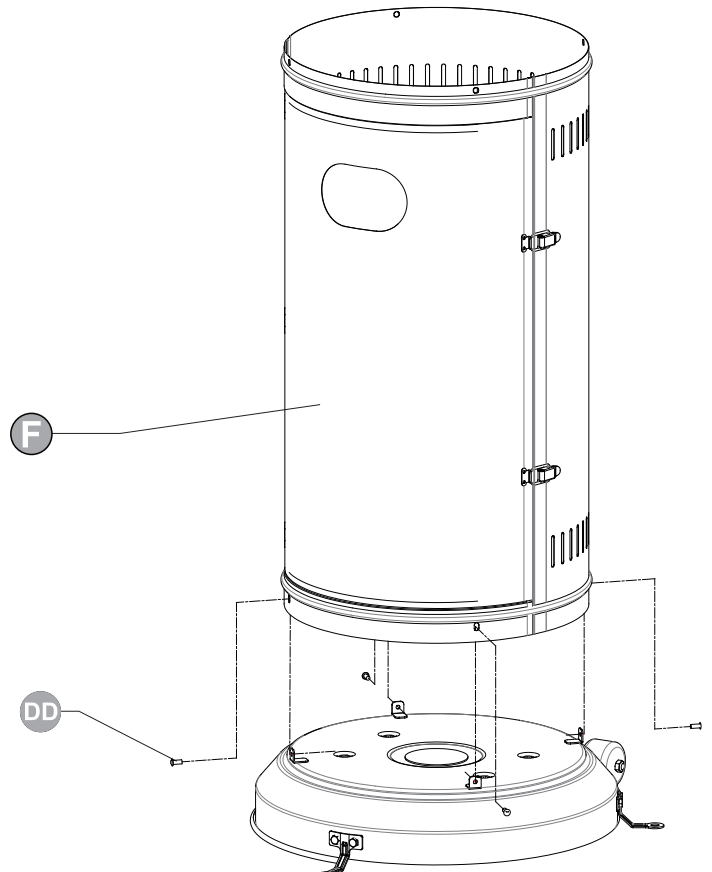


## 2. Assemble the tank housing.

Secure the tank housing to the base using 4pcs screw M5X10.x

### HARDWARE USED

- DD** Screw M5X10  x 4
- HH** Philips screwdriver  x 1



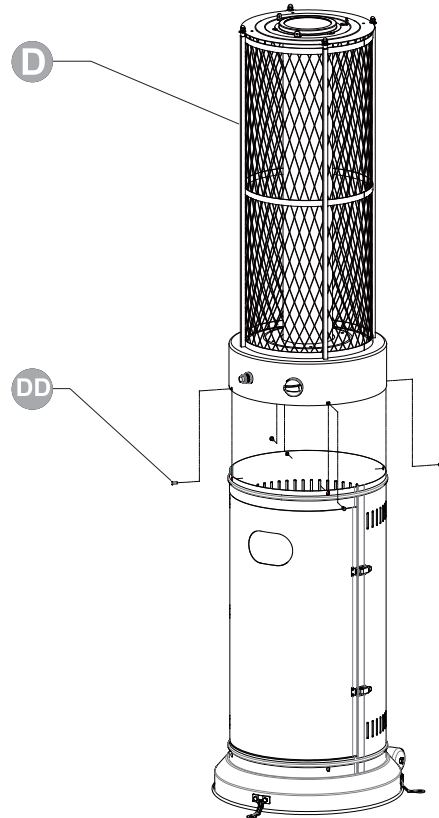
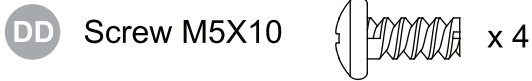


## ASSEMBLY PROCEDURES

### 3. Assemble the heating body.

Secure the heating body to the tank housing using 4pcs screw M5X10.

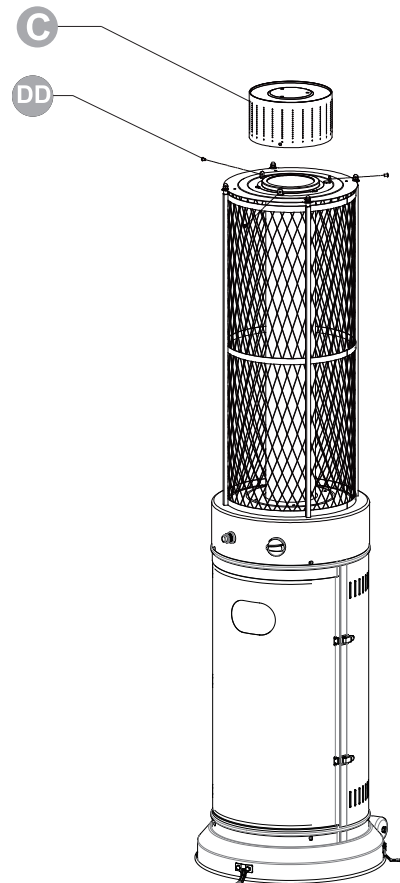
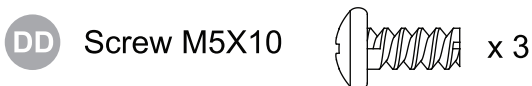
#### HARDWARE USED



### 4. Assemble the mesh.

Secure the mesh to the Heating Body using 3pcs screw M5X10.

#### HARDWARE USED



# QUARTZ GLASS TUBE PATIO HEATER

# EUROLAMP<sup>®</sup>

147-29608 / 147-29609 / 300-42071

## ASSEMBLY PROCEDURES

5. Assemble the upper protective mesh to the heating body directly.

CAUTION: Do not hang clothing or any other flammable materials from the heater, or place on or near the heater. HOT!  
DO NOT TOUCH!

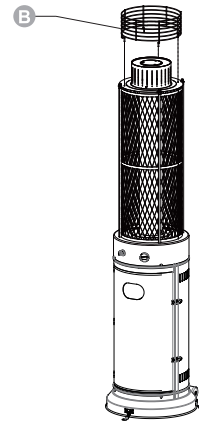


### CAUTION-HOT SURFACE

HOT WHILE IN OPERATION

**DO NOT TOUCH**

KEEP CHILDREN, CLOTHING FURNITURE  
AND FLAMMABLES AWAY



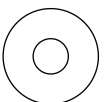
6. Assemble the reflector.

a. Screw 3pcs stud to the top of mesh, using 3pcs washer $\Phi$ 6 to the bottom and 3pcs washer $\Phi$ 6 to the top.

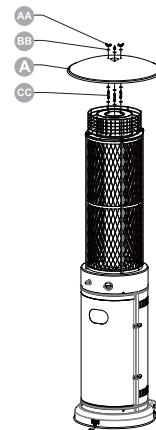
b. Put the reflector on the stud and secure them using 3pcs wing nut and 3pcs washer.

### HARDWARE USED

**AA** Wing nut  x 3

**BB** Washer  $\Phi$ 6  x 9

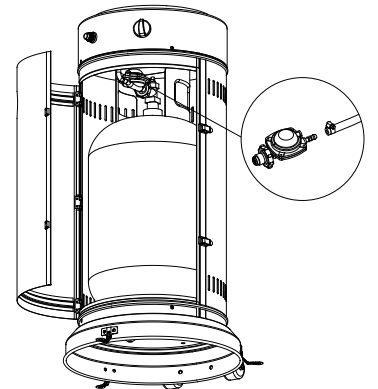
**CC** Stud  x 3



7. Connect the gas hose and regulator after that connect the regulator to the gas cylinder.



WARNING! Ensure the hose does not contact any high temperature surfaces, or it may melt and leak causing a fire. After the cylinder is placed inside the heater, secure the cylinder with block belt tightly.



8. Leak Check.



WARNING! A leak test must be performed annually and each time a cylinder is hooked up or if a part of the gas system is replaced.



WARNING! Never use an open flame to check for gas leaks. Be certain no sparks or open flames are in the area while you check for leaks. Sparks or open flames will result in a fire or explosion, damage to property, serious bodily injury, or death.



Leak testing: This must be done before initial use, annually, and whenever any gas Components are replaced or serviced. Do not smoke while performing this test, and remove all sources of ignition. See Leak Testing Diagram for areas to check. Turn all burner controls to the off position. Turn gas supply valve on.



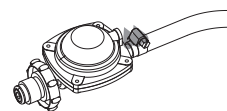
Brush a half-and-half solution of liquid soap and water onto all joints and connections of the regulator, hose, manifolds and valves.



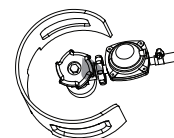
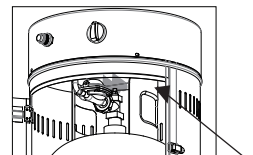
**Bubbles will indicate a gas leak.** Either tighten the loose joint or have the part replaced with one recommended by the Customer Care department and have the patio heater inspected by a certified gas installer.



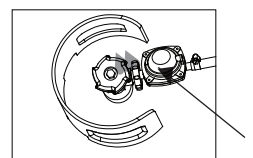
If the leak cannot be stopped, **immediately shut off the gas supply**, disconnect it, and have the patio heater inspected by a certified gas installer or dealer. Do not use the patio heater until the leak has been corrected.



Hose / Regulator connection



Regulator / Cylinder connection



## PROBLEMS CHECK LIST

### PROBLEM

### PROBABLE CAUSE

### SOLUTION

#### PILOT WILL NOT LIGHT

Gas valve may be OFF  
Tank fuel empty  
Opening blocked  
Air in supply system  
Loose connections

Turn the gas valve ON  
Refill LPG tank  
Clean or replace opening  
Purge air from lines  
Check all fittings

#### PILOT WILL NOT STAY ON

Debris around pilot  
Loose connections  
Thermocouple bad  
Gas leak in line  
Lack of fuel pressure

Clean dirty area  
Tighten connections  
Replace thermocouple  
Check connections  
Tank near empty. Refill LPG tank.

#### BURNER WILL NOT LIGHT

Pressure is low  
Opening blocked  
Control not ON  
Thermocouple bad  
Pilot light assembly bent  
Not in correct location

Tank near empty. Refill LPG tank  
Remove and clean  
Turn valve to ON  
Replace thermocouple  
Place pilot properly  
Position properly and retry

If the appliance is in case of any defaults or problems of assembly or use, please don't try to modify it by yourself, contact your supplier or distributor to solve it.

## ΘΕΡΜΑΣΤΡΑ ΥΓΡΑΕΡΙΟΥ

ΚΥΚΛΙΚΗ

ΟΔΗΓΙΕΣ ΧΡΗΣΗΣ



## ΚΑΝΟΝΕΣ ΑΣΦΑΛΕΙΑΣ

ΠΑΡΑΚΑΛΩ ΔΙΑΒΑΣΤΕ ΠΡΟΣΕΚΤΙΚΑ ΤΟΥΣ ΠΑΡΑΚΑΤΩ ΚΑΝΟΝΕΣ ΑΣΦΑΛΕΙΑΣ ΠΡΙΝ ΑΠΟ ΤΗ ΧΡΗΣΗ

### ΓΙΑ ΤΗΝ ΑΣΦΑΛΕΙΑ ΣΑΣ

Αν μυρίσετε αέριο:

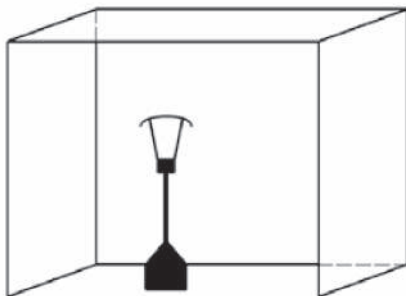
1. Κλείστε την παροχή αερίου.
2. Σβήστε οποιαδήποτε εστία φωτιάς.
3. Εάν η οσμή συνεχίζεται, καλέστε αμέσως τον προμηθευτή φυσικού αερίου ή την Πυροσβεστική.

### ΓΙΑ ΤΗΝ ΑΣΦΑΛΕΙΑ ΣΑΣ

1. Μην αποθηκεύετε ή χρησιμοποιείτε βενζίνη ή άλλους εύφλεκτους ατμούς και υγρά κοντά σε αυτή ή οποιαδήποτε άλλη συσκευή.
2. Ο κύλινδρος LP που δεν είναι συνδεδεμένος για χρήση δεν πρέπει να αποθηκεύεται κοντά σε αυτή ή οποιαδήποτε άλλη συσκευή.

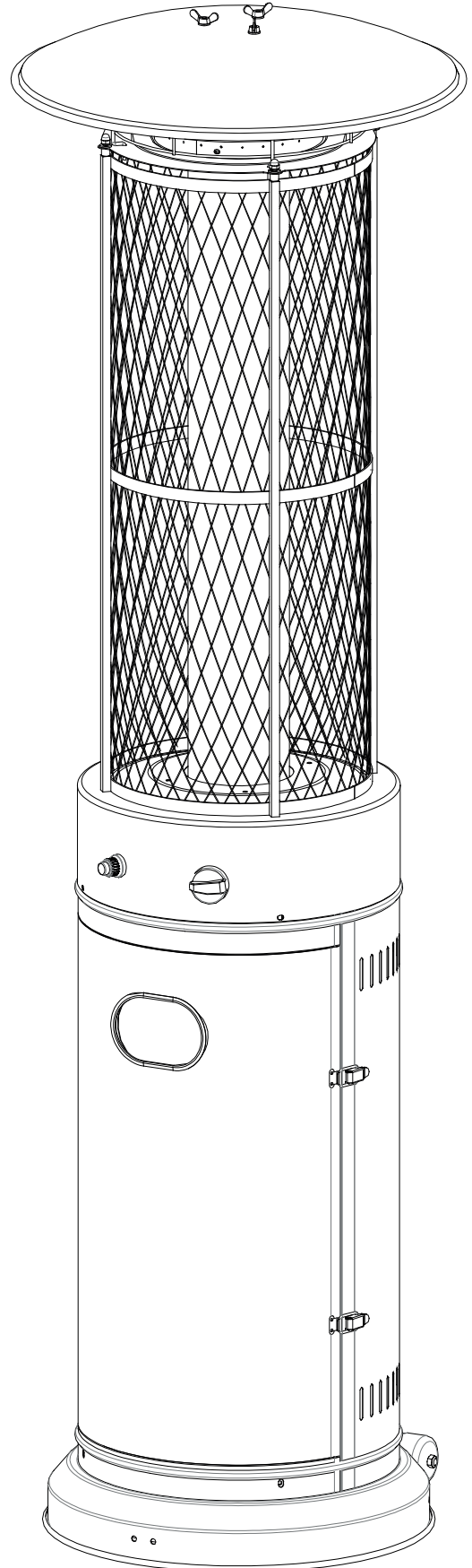
### ΠΡΟΕΙΔΟΠΟΙΗΣΗ

- 1) Για χρήση σε εξωτερικούς χώρους ή σε επαρκώς αεριζόμενους χώρους
- 2) Ένας επαρκώς αεριζόμενος χώρος πρέπει να έχει τουλάχιστον το 25% της επιφάνειας ανοιχτή
- 3) Η συνολική επιφάνεια είναι το άθροισμα της επιφάνειας των τοιχωμάτων.



### ΠΡΟΣΟΧΗ

Ακατάλληλη εγκατάσταση, ρύθμιση, αλλαγή ή συντήρηση μπορεί να προκαλέσει τραυματισμό ή υλική ζημία. Διαβάστε τις αντίστοιχες οδηγίες προσεκτικά πριν εγκαταστήσετε ή συντηρήσετε το προϊόν.



## ΠΡΟΣΟΧΗ

ΔΙΑΒΑΣΤΕ ΤΙΣ ΟΔΗΓΙΕΣ ΠΡΙΝ ΑΠΟ ΤΗΝ ΕΓΚΑΤΑΣΤΑΣΗ ΚΑΙ ΤΗ ΧΡΗΣΗ

---

-Αυτή η συσκευή πρέπει να εγκατασταθεί και ο κύλινδρος αερίου να αποθηκεύεται σύμφωνα με τους ισχύοντες κανονισμούς.

-Μην φράζετε τις οπές αερισμού του περιβλήματος του κυλίνδρου.

-Μην μετακινείτε τη συσκευή όταν είναι σε λειτουργία.

-Κλείστε τη βαλβίδα στον κύλινδρο αερίου ή στον ρυθμιστή πριν μετακινήσετε τη συσκευή.

-Η σωλήνωση ή ο εύκαμπτος σωλήνας πρέπει να αλλαχθούν μέσα στα προκαθορισμένα χρονικά διαστήματα.

-Χρησιμοποιείτε μόνο τον τύπο αερίου και τον τύπο του κυλίνδρου που καθορίζεται από τον κατασκευαστή

Η δεξαμενή LP που χρησιμοποιείται με το θερμαντήρα αίθριου σας πρέπει να πληροί τα ακόλουθα (31.8cm) (διάμετρος) x (58cm) (ύψος) με 15kg χωρητικότητα maximum.

-Σε περίπτωση βίαιου ανέμου πρέπει να δοθεί ιδιαίτερη προσοχή στην κλίση της συσκευής. Κρατήστε τη συσκευή τουλάχιστον 1m από τον κύλινδρο αερίου

-Ο εγχυτήρας εγκαθίσταται μόνο από τον κατασκευαστή. Μη συνδέετε τον κύλινδρο αερίου απευθείας στη συσκευή χωρίς το ρυθμιστή. Χρησιμοποιήστε μόνο τον τύπο αερίου και κυλίνδρου που καθορίζεται στις οδηγίες.

---

Ένας ρυθμιστής (σύμφωνα με το EN16129: 2013 και τον εθνικό κανονισμό) της κατάλληλης πίεσης αντιστοιχεί στην κατηγορία της συσκευής.

Χρησιμοποιήστε ρυθμιστή 30mbar για βουτάνιο / προπάνιο κάτω από την κατηγορία I3B/P(30).

Χρησιμοποιήστε ρυθμιστή 30mbar για βουτάνιο κάτω από την κατηγορία I3+(28-30/37).

Χρησιμοποιήστε ρυθμιστή 37mbar για προπάνιο κάτω από την κατηγορία I3+(28-30/37).

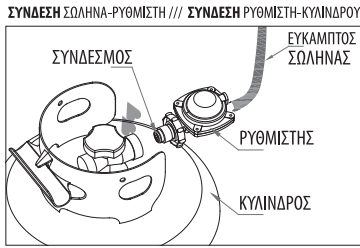
Χρησιμοποιήστε ρυθμιστή 50mbar για βουτάνιο / προπάνιο κάτω από την κατηγορία I3B/P(50).

Συνιστάται η χρήση εύκαμπτου σωλήνα που έχει εγκριθεί σύμφωνα με την EN 16436: 2014.



## ΠΡΟΣΟΧΗ

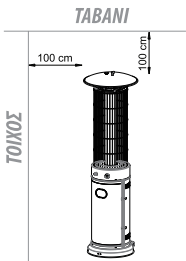
### ΠΑΡΑΚΑΛΩ ΔΙΑΒΑΣΤΕ ΠΡΟΣΕΚΤΙΚΑ ΤΑ ΑΚΟΛΟΥΘΑ ΜΕΤΡΑ ΑΣΦΑΛΕΙΑΣ ΠΡΙΝ ΤΗΝ ΧΡΗΣΗ



Μην χρησιμοποιείτε τη θερμάστρα αίθριου για εσωτερικούς χώρους, καθώς μπορεί να προκληθεί τραυματισμός ή υλική ζημιά. Αυτή η εξωτερική θερμάστρα δεν προορίζεται για εγκατάσταση σε οχήματα αναψυχής ή σκάφη. Η εγκατάσταση και η επισκευή πρέπει να γίνεται από εξειδικευμένο τεχνικό. Η ακατάλληλη εγκατάσταση, ρύθμιση, αλλαγή μπορεί να προκαλέσει τραυματισμό ή υλική ζημιά. Μην προσπαθήσετε να αλλάξετε τη μονάδα με οποιονδήποτε τρόπο. Ποτέ μην αντικαθιστάτε το ρυθμιστή με οποιοδήποτε άλλο ρυθμιστή εκτός από την αντικατάσταση που προτείνεται. Μην αποθηκεύετε ή χρησιμοποιείτε βενζίνη ή άλλους εύφλεκτους ατμούς/υγρά κοντά στη μονάδα θέρμανσης. Το σύνολο του συστήματος αερίου, του λάστιχου παροχής, του ρυθμιστή, του πιλότου ή του καυστήρα θα πρέπει να επιθεωρείται για διαρροές ή ζημιές πριν από τη χρήση, και τουλάχιστον ετησίως, από εξειδικευμένο τεχνικό. Όλες οι δοκιμές διαρροών πρέπει να γίνονται με διάλυμα σαπουνιού. Ποτέ μην έχετε ανοιχτή φλόγα κατά την διάρκεια του ελέγχου. Μην χρησιμοποιείτε το θερμαντικό μέχρι να δοκιμαστούν όλες οι συνδέσεις. Απενεργοποιήστε αμέσως τη βαλβίδα αερίου αν εντοπιστεί οσμή αερίου. Γυρίστε τη βαλβίδα του κυλίνδρου στο OFF. Αν υπάρχει διαρροή στη σύνδεση παροχής / ρυθμιστή: σφίξτε τη σύνδεση και εκτελέστε άλλη δοκιμή διαρροής. Εάν εμφανιστούν φυσαλίδες, θα πρέπει να επιστραφεί στον τόπο αγοράς. Εάν υπάρχει διαρροή στη σύνδεση ρυθμιστή / κυλινδρικής βαλβίδας: αποσυνδέστε, επανασυνδέστε και εκτελέστε έναν άλλο έλεγχο διαρροής. Αν συνεχίσετε να βλέπετε φυσαλίδες μετά από αρκετές προσπάθειες, η βαλβίδα του κυλίνδρου είναι ελαττωματική και πρέπει να την επιστρέψετε στο σημείο αγοράς του κυλίνδρου. Μην μεταφέρετε το θερμαντικό ενώ λειτουργεί. Μην μετακινείτε τον θερμαντήρα αφού έχει σβήσει, μέχρι να κρυώσει. Κρατήστε το άνοιγμα αερισμού του περιβλήματος του κυλίνδρου ελεύθερο και απαλλαγμένο από σκουπίδια. Μην βάζετε την οθόνη, τον πίνακα ελέγχου ή τον ανακλαστήρα κορυφής του καλύμματος. Ο θάλαμος ελέγχου, ο καυστήρας και οι δίοδοι κυκλοφορίας αέρα του θερμαντήρα πρέπει να διατηρούνται καθαροί. Μπορεί να απαιτηθεί συχνός καθαρισμός, ανάλογα με τις ανάγκες. Η δεξαμενή LP θα πρέπει να απενεργοποιηθεί όταν ο θερμαντήρας δεν χρησιμοποιείται. Ελέγξτε αμέσως τον θερμαντικό εάν συμβεί κάποιο από τα ακόλουθα: - Το θερμαντικό δεν φτάνει στη θερμοκρασία. - Ο καυστήρας δημιουργεί θόρυβο κατά τη διάρκεια της χρήσης (ένας ελαφρός θόρυβος είναι φυσιολογικός όταν σβήσει). - Οσμή αέριας ουσίας σε συνδυασμό με εξαιρετικά κίτρινη όψη των φλογών του καυστήρα. Το συγκρότημα ρυθμιστή / σωλήνα LP πρέπει να βρίσκεται έξω από σημεία όπου οι άνθρωποι μπορούν να περάσουν πάνω από αυτό ή σε περιοχή όπου το λάστιχο παροχής μπορεί να υποστεί τυχαία ζημιά. Κάθε προφυλακτήρας ή άλλη προστατευτική συσκευή που έχει αφαιρεθεί για τη συντήρηση του θερμαντικού πρέπει να αντικατασταθεί πριν από τη λειτουργία του. Παραμείνετε μακριά από την επιφάνεια υψηλής θερμοκρασίας για να αποφευχθούν εγκαύματα ή φθορές στον ρουχοισμό σας. Τα παιδιά θα πρέπει να παρακολουθούνται προσεκτικά όταν βρίσκονται στην περιοχή του θερμαντήρα. Ρούχα και άλλα εύφλεκτα υλικά δεν πρέπει να κρεμαστούν πάνω στον θερμαντήρα ή να τοποθετηθούν επάνω ή κοντά στον θερμαντήρα. Αλλάξτε τον κύλινδρο αερίου σε επαρκώς αεριζόμενο χώρο, μακριά από οποιαδήποτε πηγή ανάφλεξης (κερί, τσιγάρα, άλλες συσκευές παραγωγής φλόγας). Για να ελέγξετε ότι η σφραγίδα του ρυθμιστή είναι σωστά τοποθετημένη δείτε την φωτογραφία. Μην εμποδίζετε τις οπές αερισμού του περιβλήματος του κυλίνδρου. Κλείστε την παροχή αερίου στη βαλβίδα του κυλίνδρου αερίου ή του ρυθμιστή μετά τη χρήση. Σε περίπτωση διαρροής αερίου, η συσκευή δεν θα πρέπει να χρησιμοποιείται ή εάν είναι αναμμένη, η εκπομπή του αερίου πρέπει να διακόπτεται και η συσκευή να διερευνάται και να διορθώνεται πριν χρησιμοποιηθεί ξανά. Ελέγξτε το λάστιχο παροχής τουλάχιστον μία φορά το μήνα, κάθε φορά που αλλάζει ο κύλινδρος ή κάθε φορά μετά από πολύ καιρό χωρίς χρήση. Εάν παρουσιάζει σημάδια ρωγμών, σχίσματος ή άλλης φθοράς, πρέπει να αντικαθιστάται με νέο του ίδιου μήκους και της αντίστοιχης ποιότητας. **Η χρήση αυτής της συσκευής σε κλειστές περιοχές μπορεί να είναι επικίνδυνη και είναι ΑΠΑΓΟΡΕΥΜΕΝΗ.** Διαβάστε τις οδηγίες πριν χρησιμοποιήσετε αυτή τη συσκευή. Η συσκευή πρέπει να εγκατασταθεί σύμφωνα με τις οδηγίες και τους τοπικούς κανονισμούς. Για τη σύνδεση του λάστιχου παροχής και του ρυθμιστή, καθώς και για τη σύνδεση του ρυθμιστή και του κυλίνδρου, ανατρέξτε στην παραπάνω φωτογραφία.

Εκτελέστε άλλη δοκιμή διαρροής. Εάν εμφανιστούν φυσαλίδες, θα πρέπει να επιστραφεί στον τόπο αγοράς. Εάν υπάρχει διαρροή στη σύνδεση ρυθμιστή / κυλινδρικής βαλβίδας: αποσυνδέστε, επανασυνδέστε και εκτελέστε έναν άλλο έλεγχο διαρροής. Αν συνεχίσετε να βλέπετε φυσαλίδες μετά από αρκετές προσπάθειες, η βαλβίδα του κυλίνδρου είναι ελαττωματική και πρέπει να την επιστρέψετε στο σημείο αγοράς του κυλίνδρου. Μην μεταφέρετε το θερμαντικό ενώ λειτουργεί. Μην μετακινείτε τον θερμαντήρα αφού έχει σβήσει, μέχρι να κρυώσει. Κρατήστε το άνοιγμα αερισμού του περιβλήματος του κυλίνδρου ελεύθερο και απαλλαγμένο από σκουπίδια. Μην βάζετε την οθόνη, τον πίνακα ελέγχου ή τον ανακλαστήρα κορυφής του καλύμματος. Ο θάλαμος ελέγχου, ο καυστήρας και οι δίοδοι κυκλοφορίας αέρα του θερμαντήρα πρέπει να διατηρούνται καθαροί. Μπορεί να απαιτηθεί συχνός καθαρισμός, ανάλογα με τις ανάγκες. Η δεξαμενή LP θα πρέπει να απενεργοποιηθεί όταν ο θερμαντήρας δεν χρησιμοποιείται. Ελέγξτε αμέσως τον θερμαντικό εάν συμβεί κάποιο από τα ακόλουθα: - Το θερμαντικό δεν φτάνει στη θερμοκρασία. - Ο καυστήρας δημιουργεί θόρυβο κατά τη διάρκεια της χρήσης (ένας ελαφρός θόρυβος είναι φυσιολογικός όταν σβήσει). - Οσμή αέριας ουσίας σε συνδυασμό με εξαιρετικά κίτρινη όψη των φλογών του καυστήρα. Το συγκρότημα ρυθμιστή / σωλήνα LP πρέπει να βρίσκεται έξω από σημεία όπου οι άνθρωποι μπορούν να περάσουν πάνω από αυτό ή σε περιοχή όπου το λάστιχο παροχής μπορεί να υποστεί τυχαία ζημιά. Κάθε προφυλακτήρας ή άλλη προστατευτική συσκευή που έχει αφαιρεθεί για τη συντήρηση του θερμαντικού πρέπει να αντικατασταθεί πριν από τη λειτουργία του. Παραμείνετε μακριά από την επιφάνεια υψηλής θερμοκρασίας για να αποφευχθούν εγκαύματα ή φθορές στον ρουχοισμό σας. Τα παιδιά θα πρέπει να παρακολουθούνται προσεκτικά όταν βρίσκονται στην περιοχή του θερμαντήρα. Ρούχα και άλλα εύφλεκτα υλικά δεν πρέπει να κρεμαστούν πάνω στον θερμαντήρα ή να τοποθετηθούν επάνω ή κοντά στον θερμαντήρα. Αλλάξτε τον κύλινδρο αερίου σε επαρκώς αεριζόμενο χώρο, μακριά από οποιαδήποτε πηγή ανάφλεξης (κερί, τσιγάρα, άλλες συσκευές παραγωγής φλόγας). Για να ελέγξετε ότι η σφραγίδα του ρυθμιστή είναι σωστά τοποθετημένη δείτε την φωτογραφία. Μην εμποδίζετε τις οπές αερισμού του περιβλήματος του κυλίνδρου. Κλείστε την παροχή αερίου στη βαλβίδα του κυλίνδρου αερίου ή του ρυθμιστή μετά τη χρήση. Σε περίπτωση διαρροής αερίου, η συσκευή δεν θα πρέπει να χρησιμοποιείται ή εάν είναι αναμμένη, η εκπομπή του αερίου πρέπει να διακόπτεται και η συσκευή να διερευνάται και να διορθώνεται πριν χρησιμοποιηθεί ξανά. Ελέγξτε το λάστιχο παροχής τουλάχιστον μία φορά το μήνα, κάθε φορά που αλλάζει ο κύλινδρος ή κάθε φορά μετά από πολύ καιρό χωρίς χρήση. Εάν παρουσιάζει σημάδια ρωγμών, σχίσματος ή άλλης φθοράς, πρέπει να αντικαθιστάται με νέο του ίδιου μήκους και της αντίστοιχης ποιότητας. **Η χρήση αυτής της συσκευής σε κλειστές περιοχές μπορεί να είναι επικίνδυνη και είναι ΑΠΑΓΟΡΕΥΜΕΝΗ.** Διαβάστε τις οδηγίες πριν χρησιμοποιήσετε αυτή τη συσκευή. Η συσκευή πρέπει να εγκατασταθεί σύμφωνα με τις οδηγίες και τους τοπικούς κανονισμούς. Για τη σύνδεση του λάστιχου παροχής και του ρυθμιστή, καθώς και για τη σύνδεση του ρυθμιστή και του κυλίνδρου, ανατρέξτε στην παραπάνω φωτογραφία.

## ΤΟΠΟΘΕΤΗΣΗ ΘΕΡΜΑΝΤΙΚΟΥ



Η θερμάστρα πρέπει να χρησιμοποιείται αποκλειστικά για εξωτερική χρήση. Βεβαιωθείτε ότι υπάρχει επαρκής εξαερισμός.

Να διατηρείτε πάντοτε την απόσταση ασφαλείας από τα εύφλεκτα υλικά: 100 cm από κάθε πλευρά.

Το θερμαντικό πρέπει να τοποθετηθεί σε επίπεδο έδαφος.

Ποτέ μην λειτουργείτε τον θερμαντήρα σε εύφλεκτη ατμόσφαιρα, όπως σε περιοχές όπου αποθηκεύονται βενζίνη ή άλλα εύφλεκτα υγρά και ατμοί.

Για να προστατεύσετε τον θερμαντήρα από τον ισχυρό αέρα, στερεώστε τη βάση καλά στο έδαφος με βίδες.

## ΠΛΗΡΟΦΟΡΙΕΣ ΑΕΡΙΟΥ

Χρησιμοποιήστε μόνο προπάνιο ή βουτάνιο. Ο ρυθμιστής πίεσης και ο συνδυασμός πίεσης που χρησιμοποιούνται πρέπει να συμμορφώνονται με τους τοπικούς τυποποιημένους κωδικούς. Η εγκατάσταση πρέπει να συμμορφώνεται με τους τοπικούς κανόνες ή, ελλείψει τοπικών κανόνων, με το πρότυπο για την αποθήκευση και το χειρισμό υγρών αερίων πετρελαίου. Μια σκουριασμένη ή κατεστραμμένη δεξαμενή προπάνιου μπορεί να είναι επικίνδυνη και θα πρέπει να ελεγχθεί από τον προμηθευτή δεξαμενής. Μην την χρησιμοποιείτε ποτέ όταν η σύνδεση είναι φθαρμένη. Η δεξαμενή προπάνιου πρέπει να τοποθετηθεί κατάλληλα για την εξ αγωγή ατμού από τον κύλινδρο λειτουργίας. Ποτέ μην συνδέετε μια μη ρυθμισμένη δεξαμενή προπάνιου με το θερμαντικό.

## ΕΛΕΓΧΟΣ ΔΙΑΡΡΟΗΣ

Οι συνδέσεις αερίου δοκιμάστηκαν στο εργοστάσιο πριν από την αποστολή. Ένας πλήρης έλεγχος στεγανότητας πρέπει να πραγματοποιείται κατά την εγκατάσταση λόγω πιθανού κακού χειρισμού κατά την αποστολή, εφόσον εφαρμόζεται υπερβολική πίεση στον θερμαντήρα. Το διάλυμα σαπουνιού μπορεί να εφαρμοστεί με φιάλη ψεκασμού, βούρτσα ή πανί. Σε περίπτωση διαρροής θα εμφανιστούν φυσαλίδες σαπουνιού. Ο θερμαντήρας πρέπει να ελέγχεται με έναν πλήρη κύλινδρο. Βεβαιωθείτε ότι η βαλβίδα ελέγχου ασφαλείας είναι στη θέση OFF. Γυρίστε την παροχή αερίου στη θέση ON. Σε περίπτωση διαρροής, απενεργοποιήστε την παροχή αερίου. Σφίξτε τα διαρρέοντα εξαρτήματα και στη συνέχεια ενεργοποιήστε την παροχή αερίου για επανέλεγχο. Μην καπνίζετε κατά την διάρκεια του ελέγχου.

## ΛΕΙΤΟΥΡΓΙΑ ΚΑΙ ΑΠΟΘΗΚΕΥΣΗ

### ΓΙΑ ΝΑ ΘΕΣΕΤΕ ΣΕ ΛΕΙΤΟΥΡΓΙΑ ΤΟ ΘΕΡΜΑΝΤΙΚΟ

1. Ενεργοποιήστε πλήρως τη βαλβίδα στον κύλινδρο τροφοδοσίας αερίου.
2. Πατήστε και περιστρέψτε το μεταβλητό κουμπί ελέγχου στη θέση PILOT (αριστερόστροφα 90°).
3. Πιέστε το κουμπί ελέγχου και κρατήστε το για 5 δευτερόλεπτα. Ενώ κρατάτε πατημένο το κουμπί μεταβλητής ρύθμισης πατήστε επανειλημμένα το κουμπί ανάφλεξης μέχρι να ανάψει η φλόγα πιλότου. Απελευθερώστε το μεταβλητό κουμπί ελέγχου μετά την ανάφλεξη. Σημειώσεις  
Μόλις συνδεθεί μια νέα δεξαμενή παρακαλούμε αφήστε τουλάχιστον ένα λεπτό για τον αεριαγωγό για να καθαριστεί η οπή. Κατά την ανάφλεξη βεβαιωθείτε ότι ο μεταβλητός διακόπτης ελέγχου πιέζεται συνεχώς προς τα κάτω ενώ πιέζετε το κουμπί ανάφλεξης. Ο μεταβλητός επιλογέας ελέγχου μπορεί να απελευθερωθεί μετά την ανάφλεξη. Η φλόγα μπορεί να παρακολουθείται και να ελέγχεται από το μικρό στρογγυλό παράθυρο με το ολισθαίνον καπάκι που βρίσκεται στο κάτω μέρος της θόνης φλόγας (προς την αριστερή ή τη δεξιά πλευρά του ελεγκτή). Εάν η φλόγα πιλότου δεν ανάψει ή σβήσει, επαναλάβετε το βήμα 3.
4. Αφότου συμβεί η ανάφλεξη, γυρίστε το μεταβλητό κουμπί ελέγχου στη μέγιστη θέση και αφήστε το για 5 λεπτά ή περισσότερο πριν γυρίσετε το κουμπί στη επιθυμητή θέση θερμοκρασίας.

### ΑΠΟΘΗΚΕΥΣΗ

1. Πάντα να απορρίπτετε τη βαλβίδα αερίου του κυλίνδρου αερίου μετά τη χρήση ή σε περίπτωση διαταραχής.
2. Αφαιρέστε τον ελεγκτή πίεσης και το λάστιχο παροχής.
3. Ελέγξτε τη στεγανότητα της βαλβίδας αερίου αλλά και για ζημιές. Αν υποψιάζεστε ότι υπάρχει ζημιά, επικοινωνήστε με τον αντιπρόσωπό σας
4. Ποτέ μη φυλάσσετε κύλινδρο υγρού αερίου σε υπόγεια ή σε χώρους χωρίς επαρκή αερισμό.

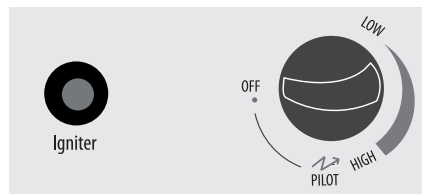
### ΚΑΘΑΡΙΣΜΟΣ ΚΑΙ ΦΡΟΝΤΙΔΑ

Σκουπίστε τις σκονισμένες επιφάνειες με μαλακό, υγρό πανί. Μην καθαρίζετε τον θερμαντήρα με καθαριστικά που είναι εύφλεκτα ή διαβρωτικά.

- Αφαιρέστε τα υπολείμματα από τον καυστήρα
- Καλύψτε τη μονάδα καυστήρα με το προαιρετικό προστατευτικό κάλυμμα όταν το θερμαντικό δεν χρησιμοποιείται.

### ΓΙΑ ΝΑ ΚΛΕΙΣΕΤΕ ΤΟ ΘΕΡΜΑΝΤΙΚΟ

1. Γυρίστε το μεταβλητό κουμπί ελέγχου στη θέση PILOT.
2. Πατήστε και περιστρέψτε το μεταβλητό κουμπί ελέγχου στη θέση OFF.



ΑΝΑΦΛΕΚΤΗΣ

ΜΕΤΑΒΛΗΤΟ ΚΟΥΜΠΙ ΕΛΕΓΧΟΥ

### HIGH

θέση  
μέγιστης  
θερμοκρασίας

### LOW

θέση  
ελάχιστης  
θερμοκρασίας

### OFF

θέση  
κλεισίματος  
θερμαντικού

3. Απενεργοποιήστε εντελώς τη βαλβίδα στον κύλινδρο τροφοδοσίας αερίου.

## ΜΕΡΗ ΚΑΙ ΧΑΡΑΚΤΗΡΙΣΤΙΚΑ

### A. Κατασκευή και χαρακτηριστικά

Μεταφερόμενο θερμαντικό με περίβλημα δεξαμενής. Περιβλήμα χάλυβα με επιστροφή σκόνης από ανοξείδωτο χάλυβα. Σύνδεσμοι σωλήνων αερίου με μεταλλικό σφιγκτήρα. Εκπομπή θερμότητας από τον ανακλαστήρα.

### B. Διευκρινίσεις

Χρησιμοποιήστε μόνο προπάνιο βουτάνιο ή μίγματα αερίων αυτών.  
Μέγιστη ισχύς: 11000 watts  
Ελάχιστη ισχύς: 5000 watts  
Χρησιμοποιήστε τον ρυθμιστή σύμφωνα με τον πίνακα.

Κατανάλωση:

ΚΑΤΗΓΟΡΙΑ:	I <sub>3+</sub> (28-30/37)		I <sub>3B/P</sub> (30)	I <sub>3B/P</sub> (50)	I <sub>3B/P</sub> (37)
ΤΥΠΟΙ ΑΕΡΙΟΥ:	Βουτάνιο	Προπάνιο	Βουτάνιο, προπάνιο ή μίγματα τους	Βουτάνιο, προπάνιο ή μίγματα τους	Βουτάνιο, προπάνιο ή μίγματα τους
ΠΙΕΣΗ ΑΕΡΙΟΥ:	28-30mbar	37 mbar	30 mbar	50mbar	37mbar
ΠΙΕΣΗ ΕΞΟΔΟΥ ΤΟΥ ΡΥΘΜΙΣΤΗ:	30mbar	37 mbar	30 mbar	50mbar	37mbar

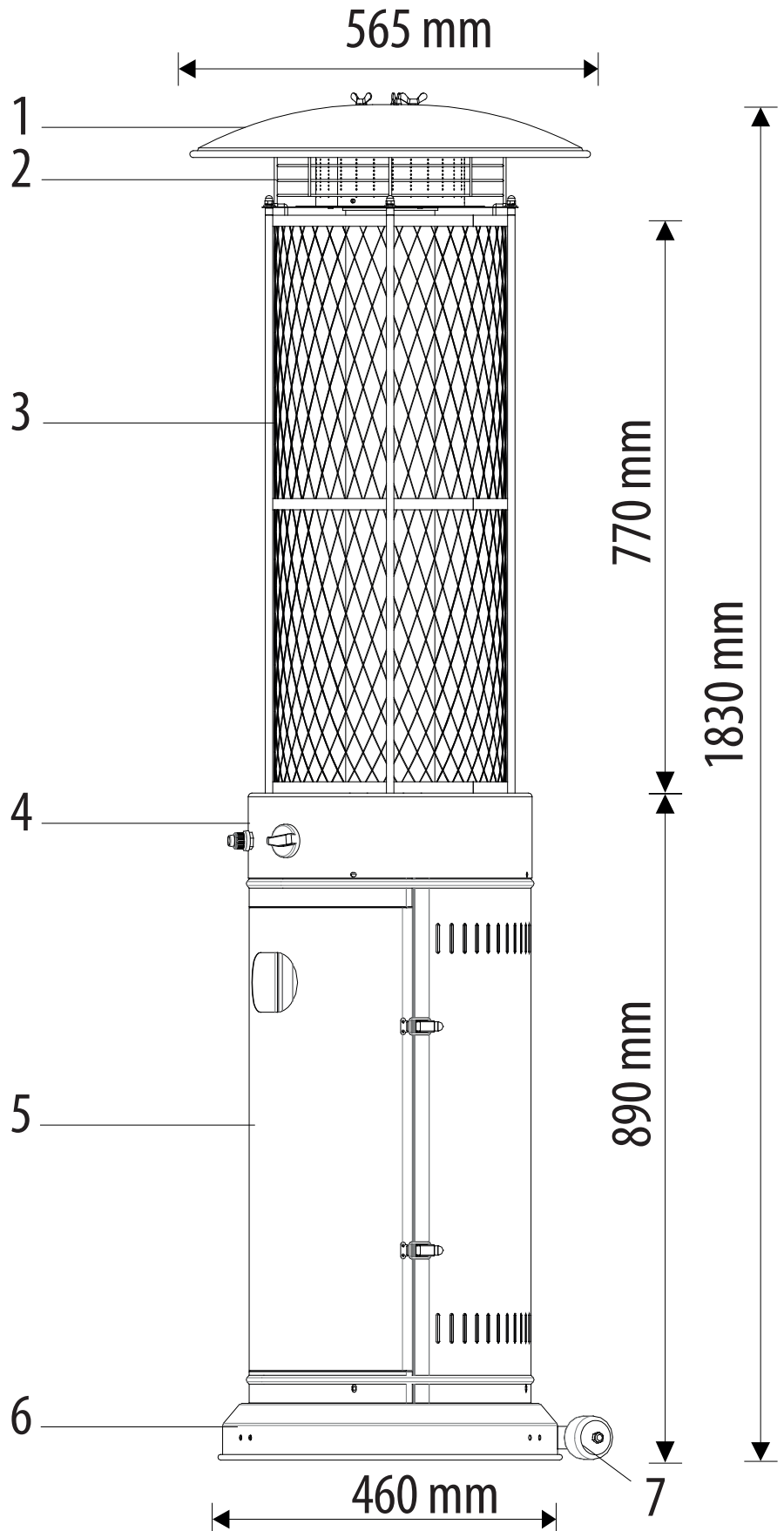
### Γ. Πίνακας του εγχυτήρα

Ο συνδυασμός του λάστιχου παροχής και του ρυθμιστή πρέπει να συμμορφώνεται με τους τοπικούς κανόνες. Η πίεση εξόδου του ρυθμιστή θα πρέπει να πληροί την αντίστοιχη κατηγορία αερίου στον πίνακα του εγχυτήρα. Η συσκευή απαιτεί εγκεκριμένο λάστιχο παροχής μήκους 0.6m.

ΚΑΤΗΓΟΡΙΑ ΕΞΟΠΛΙΣΜΟΥ:	I <sub>3+</sub> (28-30/37)		I <sub>3B/P</sub> (30)	I <sub>3B/P</sub> (50)	I <sub>3B/P</sub> (37)
ΤΥΠΟΙ ΑΕΡΙΟΥ:	Βουτάνιο	Προπάνιο	Βουτάνιο, προπάνιο ή μίγματα τους	Βουτάνιο, προπάνιο ή μίγματα τους	Βουτάνιο, προπάνιο ή μίγματα τους
ΠΙΕΣΗ ΑΕΡΙΟΥ:	28-30mbar	37 mbar	30 mbar	50mbar	37mbar
ΣΥΝΟΛΙΚΗ ΕΚΛΥΣΗ T (Hs): (Qn)	11kW (G30:800g/h; G31:786g/h)				
ΜΕΓΕΘΟΣ ΕΓΧΥΤΗΡΑ	1.75 mm για τον κύριο καυστήρα 0.22 mm για τον δευτερο			1.55 mm (κύριος) 0.22 mm (δευτ.)	1.6 m (κύριος) 0.22 mm (δευτ.)
Η ένδειξη, πχ 1.75 στο εγχυτήρα, σημαίνει ότι το μέγεθος του είναι 1.75mm					

## ΜΕΡΗ ΚΑΙ ΧΑΡΑΚΤΗΡΙΣΤΙΚΑ

1. Ανακλαστήρας
2. Άνω προστατευτικό πλέγμα
3. Προστατευτικό πλέγμα
4. Πάνελ ελέγχου
5. Θέση δεξαμενής
6. Βάση
7. Ρόδα



## ΜΕΡΗ ΣΥΝΑΡΜΟΛΟΓΗΣΗΣ

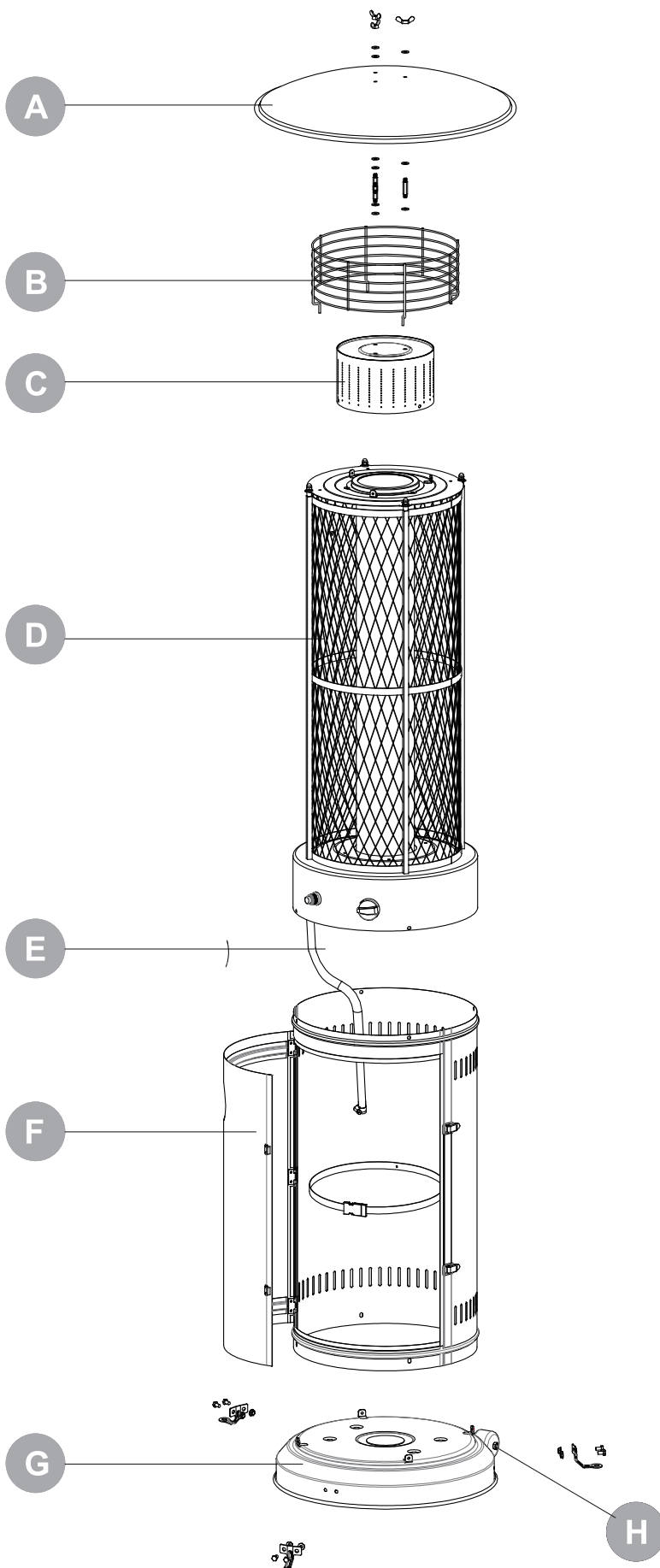
### ΕΡΓΑΛΕΙΑ ΠΟΥ ΧΡΕΙΑΖΟΝΤΑΙ:

-Philips κατσαβίδι w/ μεσαία λεπίδα

-Σπρέι με μπουκάλι διαλύματος σαπουνιού για δοκιμή διαρροής

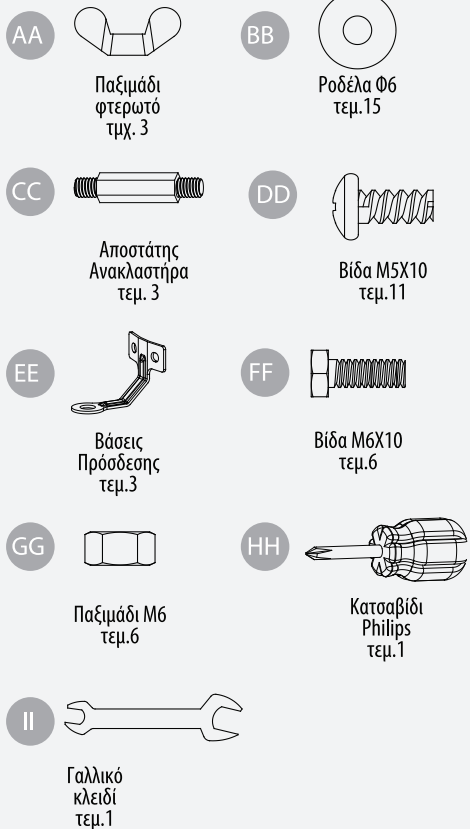
### PARTS LIST:

PART	DESCRIPTION	QUANTITY
A	Ανακλαστήρας	1
B	Άνω προστατευτικό Πλέγμα	1
C	Πλέγμα	1
D	Θερμαντικό Σώμα	1
E	Σωλήνας	1
F	Περιβλήμα Κυλίνδρου	1
G	Βάση	1
H	Ρόδα	1



## ΕΞΑΡΤΗΜΑΤΑ ΓΙΑ ΤΗ ΣΥΝΑΡΜΟΛΟΓΗΣΗ

### ΠΟΥ ΠΕΡΙΕΧΟΝΤΑΙ ΣΤΟ ΚΟΥΤΙ

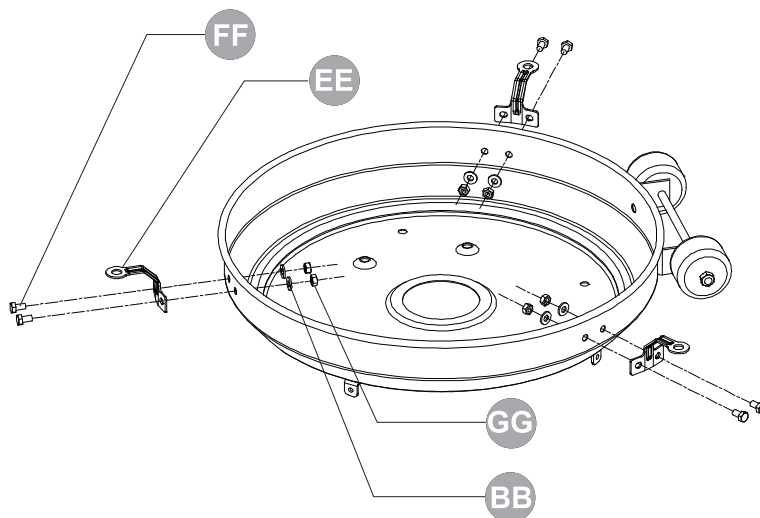


## ΔΙΑΔΙΚΑΣΙΑ ΣΥΝΑΡΜΟΛΟΓΗΣΗΣ

**1.** Για να προστατίψετε την θερμάστρα από τον ισχυρό αέρα, στερεώστε με ασφάλεια την βάση της στο έδαφος με βίδες. Γυρίστε ανάποδα την βάση, τοποθετήστε την βάση στήριξης με βίδες M6X10 και ροδέλες Φ6 όπως φαίνεται στην εικόνα. Ασφαλίστε την βάση πρόσδεσης με παξιμάδι M6 και επαναλάβετε την διαδικασία για τις άλλες δυο βάσεις πρόσδεσης.

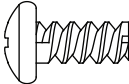
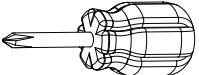
### ΥΛΙΚΟ ΠΟΥ ΧΡΗΣΙΜΟΠΟΙΕΙΤΑΙ

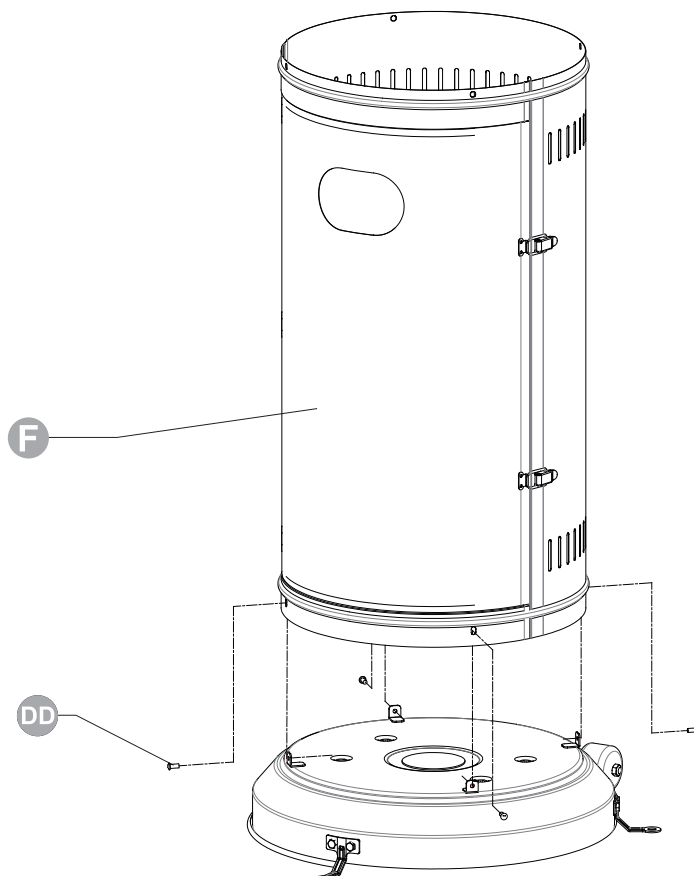
- BB** ΡΟΔΕΛΑ Φ6  x 6
- EE** ΒΑΣΕΙΣ ΠΡΟΣΔΕΣΗΣ  x 3
- FF** ΒΙΔΑ M6X10  x 6
- GG** ΠΑΞΙΜΑΔΙ M6  x 6
- II** ΓΑΛΛΙΚΟ ΚΛΕΙΔΙ  x 1



**2.** Συναρμολογήστε το κάλυμμά της δεξαμενής και ασφαλίστε το πάνω στην βάση χρησιμοποιώντας 4 βίδες M5X10.

### ΥΛΙΚΟ ΠΟΥ ΧΡΗΣΙΜΟΠΟΙΕΙΤΑΙ

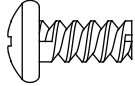
- DD** ΒΙΔΑ M5X10  x 4
- HH** ΚΑΤΣΑΒΙΔΙ PHILIPS  x 1



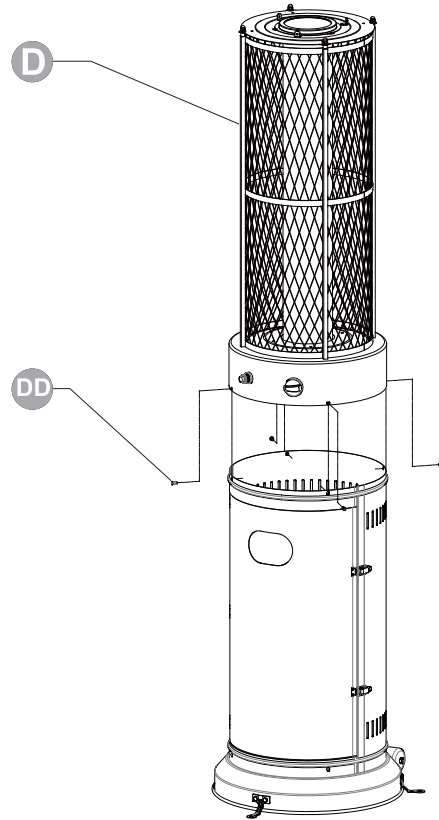
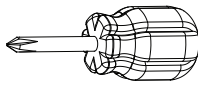
**3.** Συναρμολογήστε το θερμαντικό σώμα και ασφαλίστε στην δεξαμενή χρησιμοποιώντας 4 βίδες M5X10.

## ΥΛΙΚΟ ΠΟΥ ΧΡΗΣΙΜΟΠΟΙΕΙΤΑΙ

**DD** ΒΙΔΑ M5X10 x 4



**HH** ΚΑΤΣΑΒΙΔΙ PHILIPS x 1

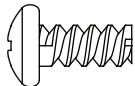


**4.** Τοποθετήστε το πλέγμα.

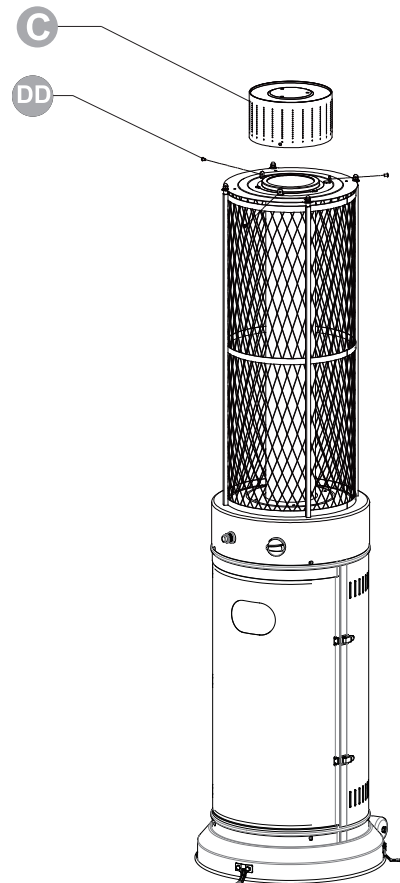
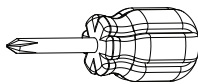
Ασφαλίστε το στο θερμαντικό σώμα με 3 βίδες M5X10.

## ΥΛΙΚΟ ΠΟΥ ΧΡΗΣΙΜΟΠΟΙΕΙΤΑΙ

**DD** ΒΙΔΑ M5X10 x 3



**HH** ΚΑΤΣΑΒΙΔΙ PHILIPS x 1





147-29608 / 147-29609 / 300-42071

**5.** Τοποθετήστε το άνω προστατευτικό πλέγμα απευθείας πάνω στο θερμαντικό σώμα.

**ΠΡΟΣΟΧΗ:** Μην κρεμάτε ρούχα ή άλλα εύφλεκτα υλικά από το θερμαντικό σώμα ή κοντά σε αυτό.

**ΚΑΥΤΟ! ΜΗΝ ΑΓΙΖΕΤΕ!**



## ΠΡΟΣΟΧΗ-ΠΟΛΥ ΖΕΣΤΗ ΕΠΙΦΑΝΕΙΑ

ΠΟΛΥ ΖΕΣΤΟ ΟΤΑΝ ΛΕΙΤΟΥΡΓΕΙ

**ΜΗΝ ΑΓΙΖΕΤΕ**

ΚΡΑΤΗΣΤΕ ΠΑΙΔΙΑ, ΕΝΔΥΜΑΤΑ, ΕΠΙΠΛΑ  
ΚΑΙ ΕΥΦΛΕΚΤΑ ΥΛΙΚΑ ΜΑΚΡΙΑ

## 6. Τοποθετήστε τον ανακλαστήρα.

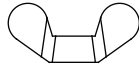
A. Βιδώστε τους 3 αποστάτες του ανακλαστήρα απευθείας στο Πλέγμα (C) χρησιμοποιώντας 3 ροδέλες Φ6 στο κάτω μέρος και τις 3 στο πάνω μέρος του αποστάτη.

B. Τοποθετήστε τον ανακλαστήρα στο σταντ και ασφαλίστε τον χρησιμοποιώντας 3 ροδέλες Φ6 και 3 φτερωτά παξιμάδια.

## ΥΛΙΚΟ ΠΟΥ ΧΡΗΣΙΜΟΠΟΙΕΙΤΑΙ



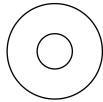
ΠΑΞΙΜΑΔΙ  
ΦΤΕΡΩΤΟ



x 3



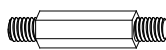
ΡΟΔΕΛΑ Φ6



x 9



ΑΠΟΣΤΑΤΗΣ  
ΑΝΑΚΛΑΣΤΗΡΑ

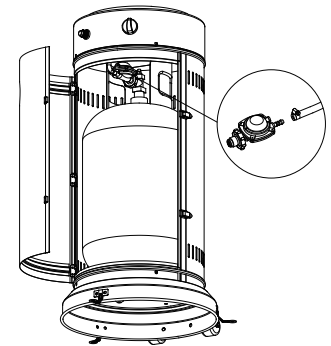


x 3

## 7. Συνδέστε την σωλήνα αερίου στον ρυθμιστή, έπειτα συνδέστε τον ρυθμιστή στην φιάλη αερίου.



Προειδοποίηση: Βεβαιωθείτε ότι η σωλήνα αερίου δεν έρχεται σε επαφή με καμία καυτή επιφάνεια διαφορετικά μπορεί να λιώσει και να προκληθεί διαρροή και φωτιά. Μετά την τοποθέτηση της φιάλης αερίου ασφαλίστε την σφιχτά με τον μάντα πρόσδεσης.



## 8. Έλεγχος διαρροής.



Προειδοποίηση: Έλεγχος διαρροής πρέπει να πραγματοποιείται ετησίως και κάθε φορά που αλλάζει η φιάλη αερίου ή όποτε αλλάζει κάποιο εξάρτημα στο σύστημα αερίου.



Προειδοποίηση: Ποτέ μην χρησιμοποιείτε φλόγα για να ελέγξετε διαρροή αερίου. Βεβαιωθείτε ότι δεν υπάρχουν φλόγες ή σπινθήρες κατά την διάρκεια του ελέγχου διαρροής. Οι σπινθήρες ή φλόγες μπορούν να προκαλέσουν φωτιά ή έκρηξη, καταστροφή περιουσίας, τραυματισμό ή θάνατο.



Έλεγχος διαρροής: Ο έλεγχος πρέπει να πραγματοποιείται πριν από την πρώτη χρήση, ετήσιος και κάθε φορά που αλλάζει ή επισκευάζεται κάποιο εξάρτημα. Δείτε τα σημεία ελέγχου στο διάγραμμα ελέγχου διαρροής.



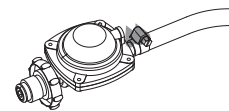
Γυρίστε όλους τους διακόπτες του θερμαντικού στην θέση off, ανοίξτε την βαλβίδα της φιάλης αερίου. Ψεκάστε όλες τις συνδέσεις του ρυθμιστή, της σωλήνας αερίου και τις βαλβίδες με ένα διάλυμα νερού-σαπουνιού σε αναλογία 1:1.



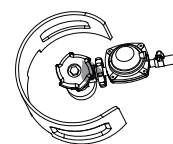
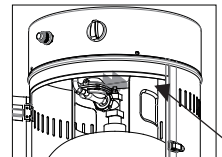
Η εμφάνιση φυσαλίδων σημαίνει διαρροή. Σφίξτε την σύνδεση που εμφανίζει διαρροή ή αντικαταστήστε το εξάρτημα με ένα κατάλληλο που θα σας υποδείξει το τμήμα εξυπηρέτησης πελατών. Η συσκευή να ελεγχθεί από έναν πιστοποιημένο εγκαταστάτη αερίου.



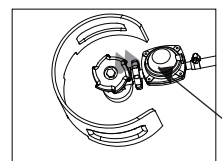
Εάν η διαρροή δεν μπορεί να σταματήσει, αμέσως κλείστε την παροχή αερίου, αποσυνδέστε την. Η θερμάστρα πρέπει να ελεγχθεί από έναν πιστοποιημένο εγκαταστάτη αερίου ή την πωλητή. Μην χρησιμοποιείται την θερμάστρα μέχρι να επιδιορθωθεί η διαρροή.



ΣΥΝΔΕΣΗ ΣΩΛΗΝΑ-ΡΥΘΜΙΣΤΗ



ΣΥΝΔΕΣΗ ΡΥΘΜΙΣΤΗ-ΚΥΛΙΝΔΡΟΥ



## ΛΙΣΤΑ ΕΠΙΛΥΣΗΣ ΠΡΟΒΛΗΜΑΤΩΝ

### ΠΡΟΒΛΗΜΑ

#### ΤΟ ΑΕΡΙΟ ΔΕΝ ΑΝΑΒΕΙ

### ΠΙΘΑΝΗ ΑΙΤΙΑ

Η βαλβίδα είναι στο OFF  
Άδεια δεξαμενή  
Μποκαρισμένο άνοιγμα  
Αέρας στο σύστημα  
Χαλαρές συνδέσεις

### ΛΥΣΗ

Γυρίστε την βαλβίδα στο ON  
Ξαναγεμίστε τη δεξαμενή  
Καθαρίστε ή αντικαταστήστε το  
Βγάλτε τον αέρα  
Ελέγξτε τις επαφές

#### ΤΟ ΣΥΣΤΗΜΑ ΕΝΑΥΣΗΣ ΔΕΝ ΑΝΑΒΕΙ

Σκουπίδια στην περιοχή  
Χαλαρές συνδέσεις  
Φθαρμένος θερμοστάτης  
Διαρροή αερίου  
Έλλειψη πίεσης.

Καθαρίστε την περιοχή  
Ελέγξτε τις επαφές  
Αντικαταστήστε το θερμοστάτη  
Ελέγξτε τις επαφές  
Η δεξαμενή αδειάζει. Αντικαταστήστε την.

#### Ο ΚΑΥΣΤΗΡΑΣ ΔΕΝ ΑΝΑΒΕΙ

Έλλειψη πίεσης.  
Άνοιγμα μπλοκαρισμένο  
Κοντρόλ όχι στο ON  
Φθαρμένος θερμοστάτης  
Κουμπί ελέγχου τοποθετημένο λάθος  
Δεν είναι στην σωστή θέση

Η δεξαμενή αδειάζει. Αντικαταστήστε την.  
Ανοίξτε και καθαρίστε  
Γυρίστε Κοντρόλ στο ON  
Αντικαταστήστε το θερμοστάτη  
Τοποθετήστε το σωστά  
Αλλάξτε θέση και ξαναπροσπαθήστε

Εάν η συσκευή έχει προβλήματα συναρμολόγησης ή χρήσης, μην επιχειρήσετε να την διορθώσετε μόνοι σας, αλλά επικοινωνήστε με τον προμηθευτή ή τον διανομέα σας.