



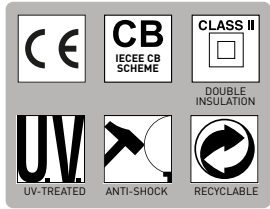
EUROLAMP®



authorized dealer



MADE IN
ITALY



AVAILABLE COLORS	
RESIN BODY	DIFFUSER
BLACK (A)	CLEAR (X)

E27 CCT LED VERSION

8,5W
920 lm
100-240V
50/60 Hz
2700K/4000K/6500K
60W INCANDESCENT

CCT SET

E27 VERSION

DISMA/ROBY

E27 **145-26073 / T20.114.000.AXE27**

IP55

NARDO/ROBY

E27 **145-26070 / T20.240.000.AXE27**

IP55

GIAFFA/ROBY resin

8,5W CCT SET **145-26079 / T20.242.000.AXV1K**

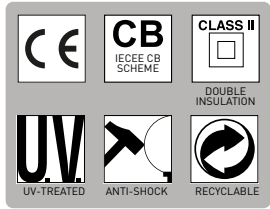
IP55

ΠΕΡΙΧΕΤΑΙ ΛΑΜΠΤΗΡΑΣ LED LAMP INCLUDED

SICAR/ROBY

E27 **145-26076 / T20.125.000.AXE27**

IP55



MIKROLOT/MARY

E27 **145-26032 / Q18.110.000.AXE27**

IP55




BISSO/MARY

E27 **145-26030 / Q18.131.000.AXE27**

IP55




MIZAR/MARY (resin)

8,5W **CCT SET** **145-26034 / Q18.151.000.AXV1K**

IP55

ΠΕΡΙΕΧΕΤΑΙ ΛΑΜΠΤΗΡΑΣ LED LAMP INCLUDED

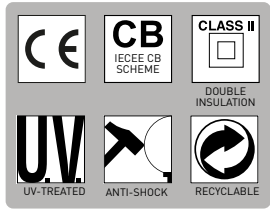



SICHEM/MARY

E27 **CCT SET** **145-26036 / Q18.120.000.AXE27**

IP55




AVAILABLE COLORS	
RESIN BODY	DIFFUSER
	
BLACK (A)	CLEAR (X)

E27 CCT LED VERSION	
	8,5W
	920 lm
	100-240V 50/60 Hz
	2700K/4000K/6500K
CC1 SET	60W INCANDESCENT

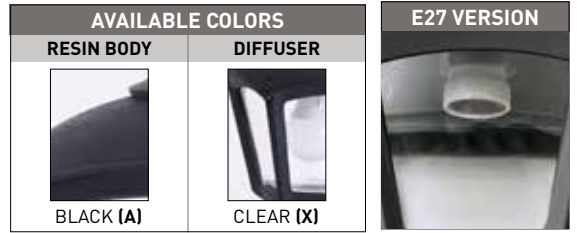
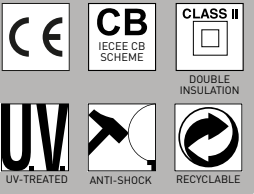


MIKROLOT/ANNA	
E27	145-26002 / E22.110.000.AXE27
	
IP55	220 385 Ø130

BISSO/ANNA	
E27	145-26000 / E22.131.000.AXE27
	
IP55	275 450

MIZAR/ANNA (resin)	
8,5W	145-26004 / E22.151.000.AXV1K
	
IP55	220 1100 Ø50 Ø150
ΠΕΡΙΕΧΕΤΑΙ ΛΑΜΠΤΗΡΑΣ LED LAMP INCLUDED	

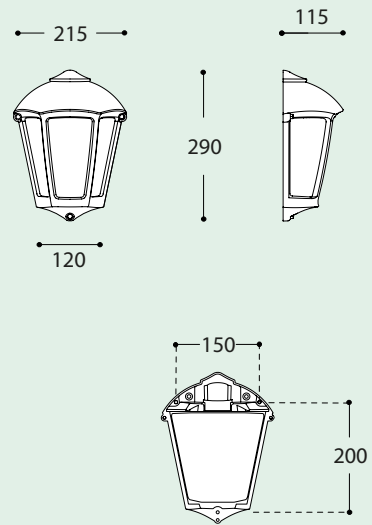
SICHEM/ANNA	
E27	145-26008 / E22.120.000.AXE27
	
IP55	220 800



FABIO

E27

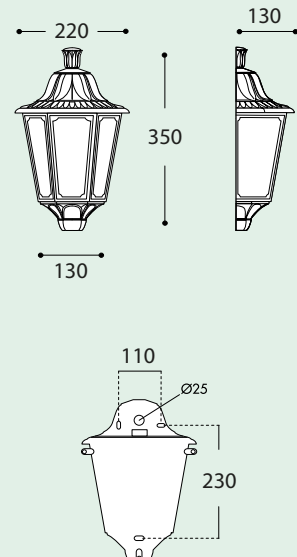
145-26040 / M20.000.000.AXE27



IESSE

E27

145-26035 / M22.000.000.AXE27



CCT SETTABLE

2700 K
4000 K

MARTA 90 2L GU10 CCT LED

2X **2x 3,5W**
732 lm

100-240V
 50/60 Hz
 2700K/4000K

=2 x 35W
 HALOGEN

AVAILABLE COLORS

RESIN BODY (MOULDED COLOURS)			DIFFUSER
BLACK (A)	GREY (L)	WHITE (W)	FROSTED(X)

MARTA 90 2L



2x3,5W **CCT SET** **7W** **145-26270 / 2A4.000.000.AXU2K**

MARTA 90 2L

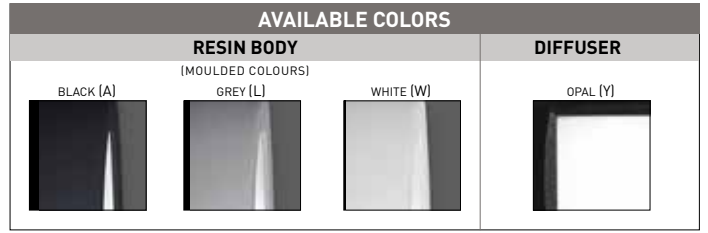
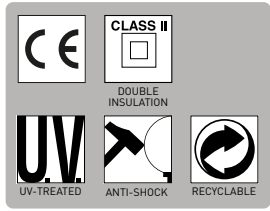


2x3,5W **CCT SET** **7W** **145-26272 / 2A4.000.000.LXU2K**

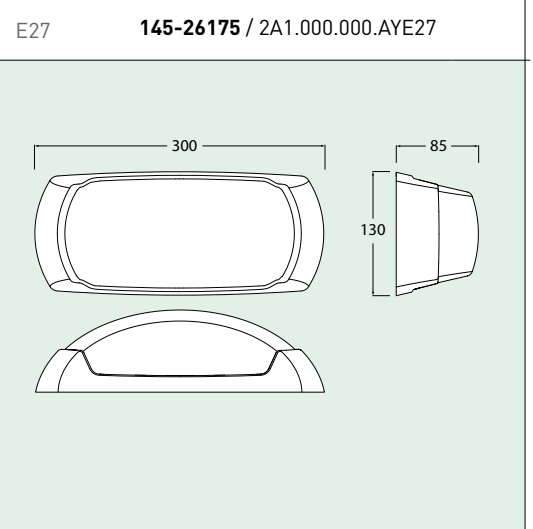
MARTA 90 2L



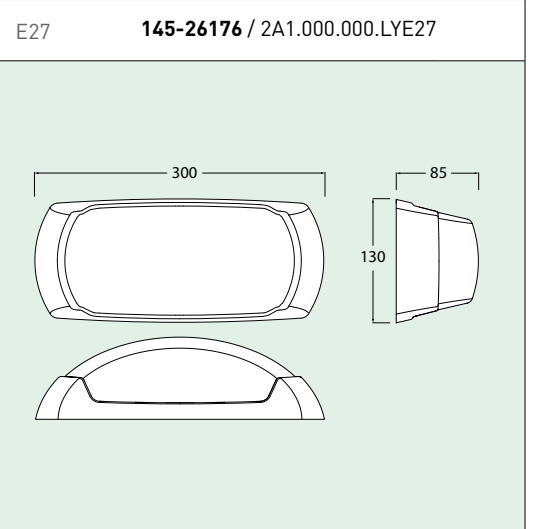
2x3,5W **CCT SET** **7W** **145-26271 / 2A4.000.000.WXU2K**



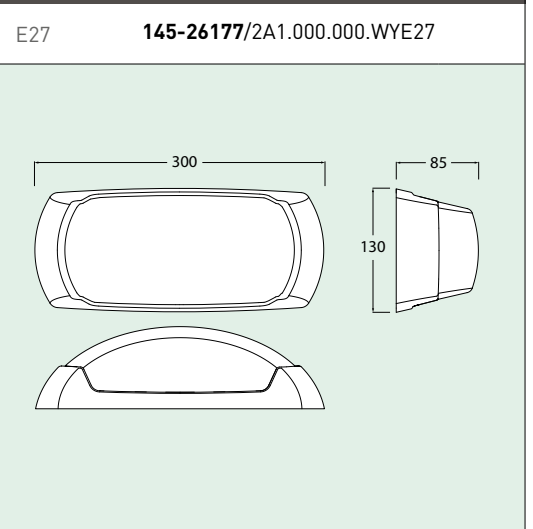
FRANCY-OP

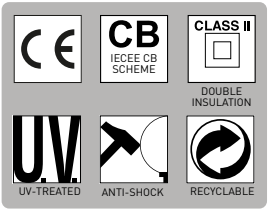


FRANCY-OP



FRANCY-OP





SUPPLIED FULLY PRE-WIRED
BERTA E27



SUPPLIED FULLY PRE-WIRED
UMBERTA 2XE27



AVAILABLE COLORS

RESIN BODY

BLACK (A)



WHITE (W)



DIFFUSER

OPAL (Y)



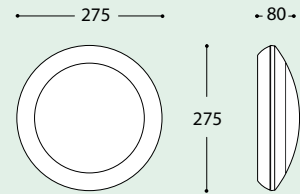
BERTA



IP66

E27

145-26190 / 1B2.000.000.AYP27



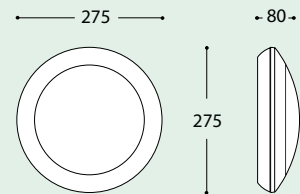
BERTA



IP66

E27

145-26192 / 1B2.000.000.WYP27



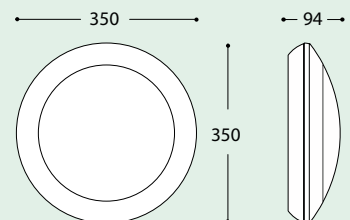
UMBERTA

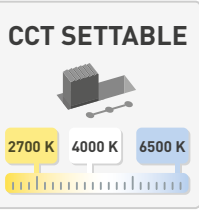
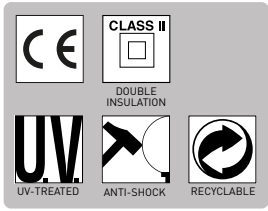


IP66

2xE27

145-26230 / 1B3.000.000.WYE28





BERTINA GX53 CCT LED	
	3W 410 lm
100-240V 50/60 Hz	
2700K/4000K/6500K	
=40W INCANDESCENT	

LETI 100 GX53 CCT LED	
	3W 410 lm
100-240V 50/60 Hz	
2700K/4000K/6500K	
=40W INCANDESCENT	

LORENZA R7s CCT LED	
	3,5W 365 lm
100-240V 50/60 Hz	
2700K/4000K/6500K	

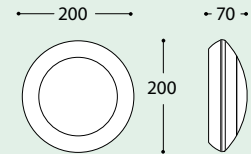
BERTINA

IP66



ΠΕΡΙΕΧΕΤΑΙ
ΛΑΜΠΤΗΡΑΣ
LED GX53
LAMP INCLUDED

3W **CCT SET** 145-26310 / 1B1.000.000.WYG1K



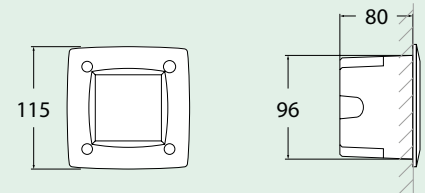
LETI 100 SQUARE

IP66



ΠΕΡΙΕΧΕΤΑΙ
ΛΑΜΠΤΗΡΑΣ
LED GX53
LAMP INCLUDED

3W **CCT SET** 145-26420 / 13C1.000.000.LYG1K



LORENZA 150

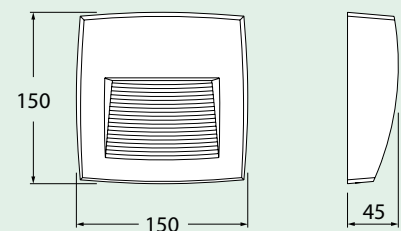
IP55

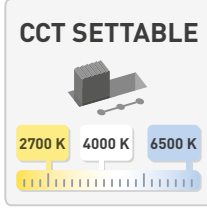
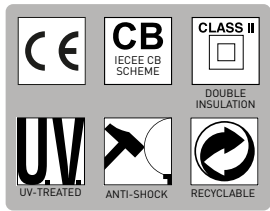
CB
IECEE CB
SCHEME



ΠΕΡΙΕΧΕΤΑΙ
ΛΑΜΠΤΗΡΑΣ
LED R7S
LAMP INCLUDED

3,5W **CCT SET** 145-26320 / AS1.000.000.LXJ1K





E27 CCT LED VERSION
8,5W
920 lm
100-240V 50/60 Hz
2700K/4000K/6500K
60W INCANDESCENT

AVAILABLE COLORS	
RESIN BODY	DIFFUSER
GREY (L)	CLEAR (X)

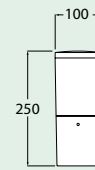
AMELIA 250



IP55

ΠΕΡΙΕΧΕΤΑΙ
ΛΑΜΠΤΗΡΑΣ
LED
LAMP
INCLUDED

8,5W **CCT SET** 145-26169 / DR2.573.000.LYV1K



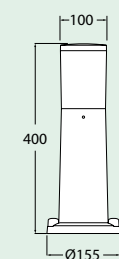
AMELIA 400



IP55

ΠΕΡΙΕΧΕΤΑΙ
ΛΑΜΠΤΗΡΑΣ
LED
LAMP
INCLUDED

8,5W **CCT SET** 145-26168 / DR2.574.000.LYV1K



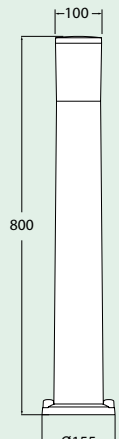
AMELIA 800

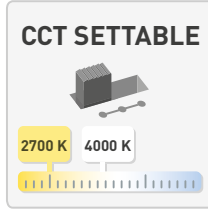
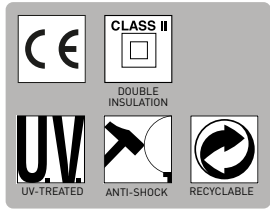


IP55

ΠΕΡΙΕΧΕΤΑΙ
ΛΑΜΠΤΗΡΑΣ
LED GX53
LAMP INCLUDED

8,5W **CCT SET** 145-26167 / DR2.575.000.LYV1K

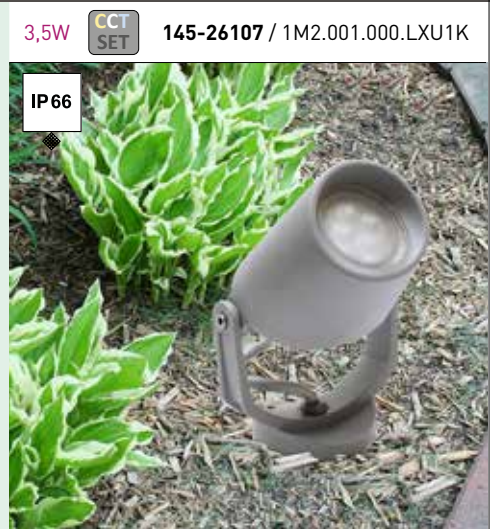
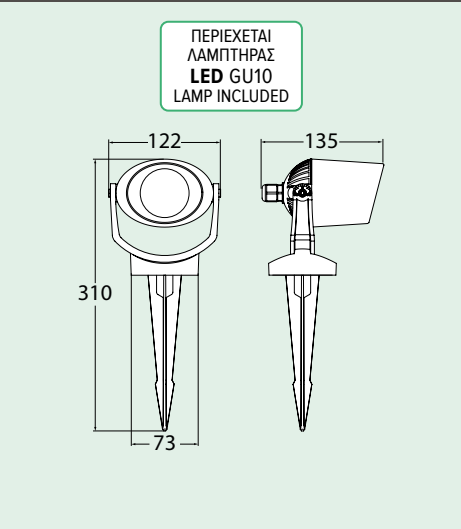




MARTA 90 2L GU10 CCT LED	
GU10 LED	3,5W 366 lm
100-240V 50/60 Hz	
2700K/4000K	
35W HALOGEN	



MINITOMMY-EL SPIKE



RESIN MATERIAL ADVANTAGES





EUROLAMP®

EUROLAMP S.A.
3rd km Symmachiki road, 57013 Oraioakastro
Thessaloniki, Greece

T. +30 2310 574802, F. +30 2310 574919
E. info@eurolamp.gr

www.eurolamp.gr